

externalfixatorcatalog

Warning

This description is not sufficient by itself for direct and proper use of the instrument set intraoperatively.

Instruction by a surgeon who is thoroughly trained and experienced in handling these instruments and in doing the procedure are highly recommended.



humerus

idaf

WRIST^x
dynamic angled clamp

WRIST^c
multiaxial distal radius

colles



DAF HUMERUS FIXATOR

It is a single plan external fixation tool and used for the treatment of the fractures of humerus, radius and ulna for adults.

It is also used at pediatric femur, tibia fractures and deformity corrections.

The ball-joint structure connects the clamp to the fixator body as an articular structure and allows the final reduction after the implantation of the fixator.

The Fixators Schanz screw holder clamps have five slots for the Schanz screws.

It is primarily used in acute trauma cases.

In some cases if it is needed, it allows joint mobilization.

The system allows correction of postoperative reduction.

Fixators versatility allows simple angular adjustments. It provides an opportunity to move 30° in all planes.

A full turn of the DC unit allows 1 mm movement.



CODE	BARCODE	DESCRIPTION	TYPE	LENGTH (mm)	LENGTHENING (mm)
40840010101	8698673456525	DYN. MULTIAXIAL HUM. FIX.	STANDARD	175	25
40840020101	8698673456518	DYN. MULTIAXIAL HUM. FIX.	LONG	200	47



DAF HUMERUS WITH T CLAMP FIXATOR

T-clamp with the ball-joint structure could be used instead of the straight clamp at the dynamic multiaxial fixator.

T-Clamp gives the opportunity to place the Schanz screws in an uniplaner configuration to epiphyseal and metaphyseal region.

It has a design that 5 screws could be applied horizontally to the metaphyseal region of the bone.

It is used for distal/proximal femur and distal/proximal tibia intra-articular and periarticular fractures which have enough space for Schanz screw applications.



CODE	BARCODE	DESCRIPTION
40840000200	8698673456716	HUMERUS T CLAMP

CODE	BARCODE	DESCRIPTION	TYPE	LENGTH (mm)	LENGHTENING (mm)
40840010141	8698673458024	DYN. MULTIAXIAL HUM. WITH T CLAMP FIX.	STANDARD	155	25
40840020141	8698673458031	DYN. MULTIAXIAL HUM. WITH T CLAMP FIX.	LONG	180	47



DAF HUMERUS WITH 135° CLAMP FIXATOR

It has Schanz screw holes opened in a 135 ° angle to the long axis of the clamp.

It allows to the placement of the Schanz screws to the humerus head when the fixator body is positioned parallel to the long axis of humerus.

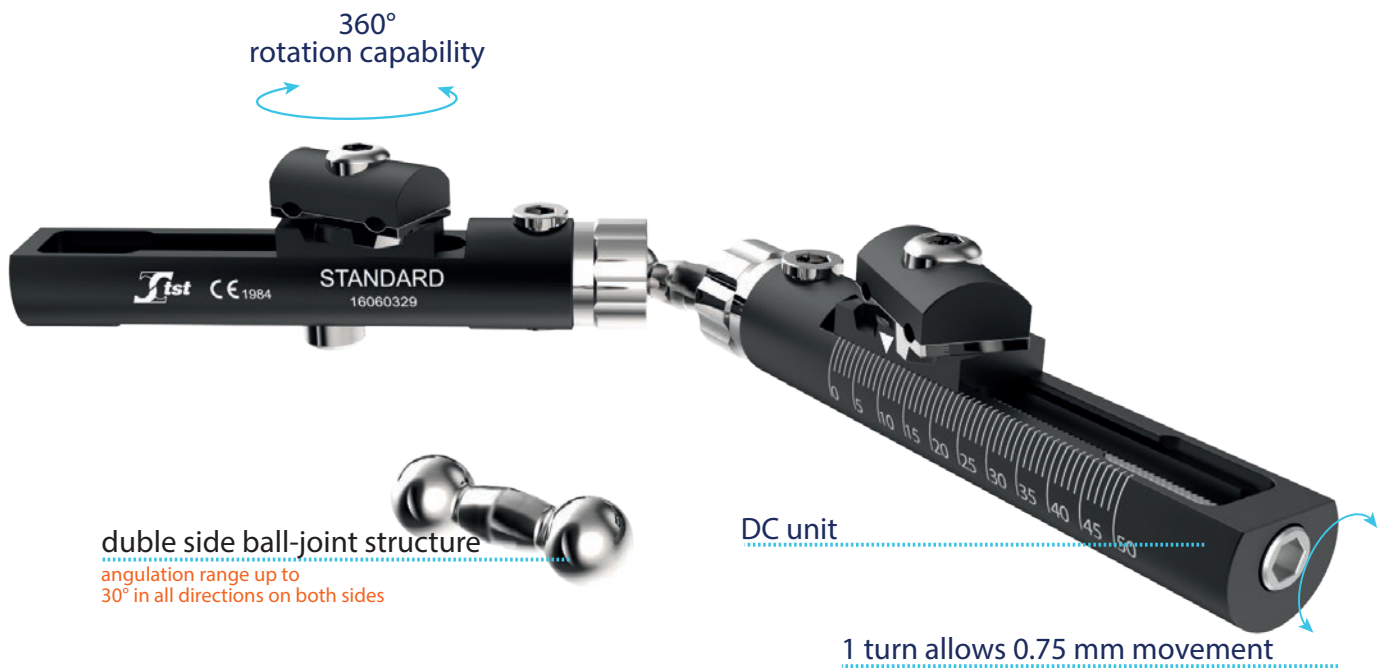
The 135 ° clamp has four screw holes.



CODE	BARCODE	DESCRIPTION
40840000300	8698673456709	HUMERUS 135° CLAMP



CODE	BARCODE	DESCRIPTION	TYPE	LENGTH (mm)	LENGTHENING (mm)
40840010151	8698673457980	DYN. MULTIAXIAL HUM. WITH 135° CLAMP FIX.	STANDARD	175	25
40840020151	8698673457973	DYN. MULTIAXIAL HUM. WITH 135° CLAMP FIX.	LONG	200	50



DYNAMIC ANGLED CLAMP WRIST FIXATOR

Lightweight and low profile structured fixator.

Owing to the double ball- joint structure, it provides an easy reduction.

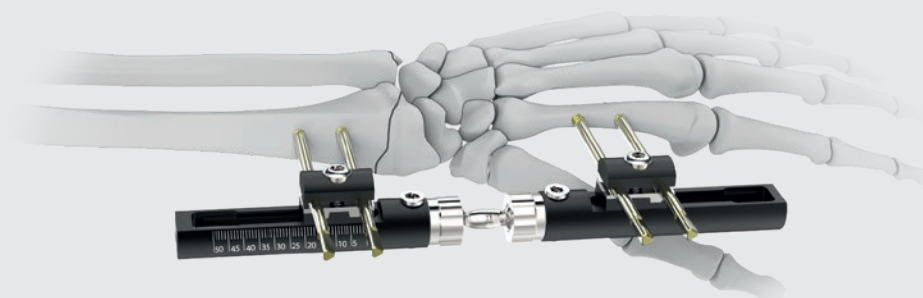
The ball joint structure can be tightened and / or loosened with a 4.0 mm L-Allen key.

Suitable for extra-articular or transarticular external fixation technique.

The ball-joint structure can be loosened at the transarticular application if there is a need of a Hand-wrist mobilization.

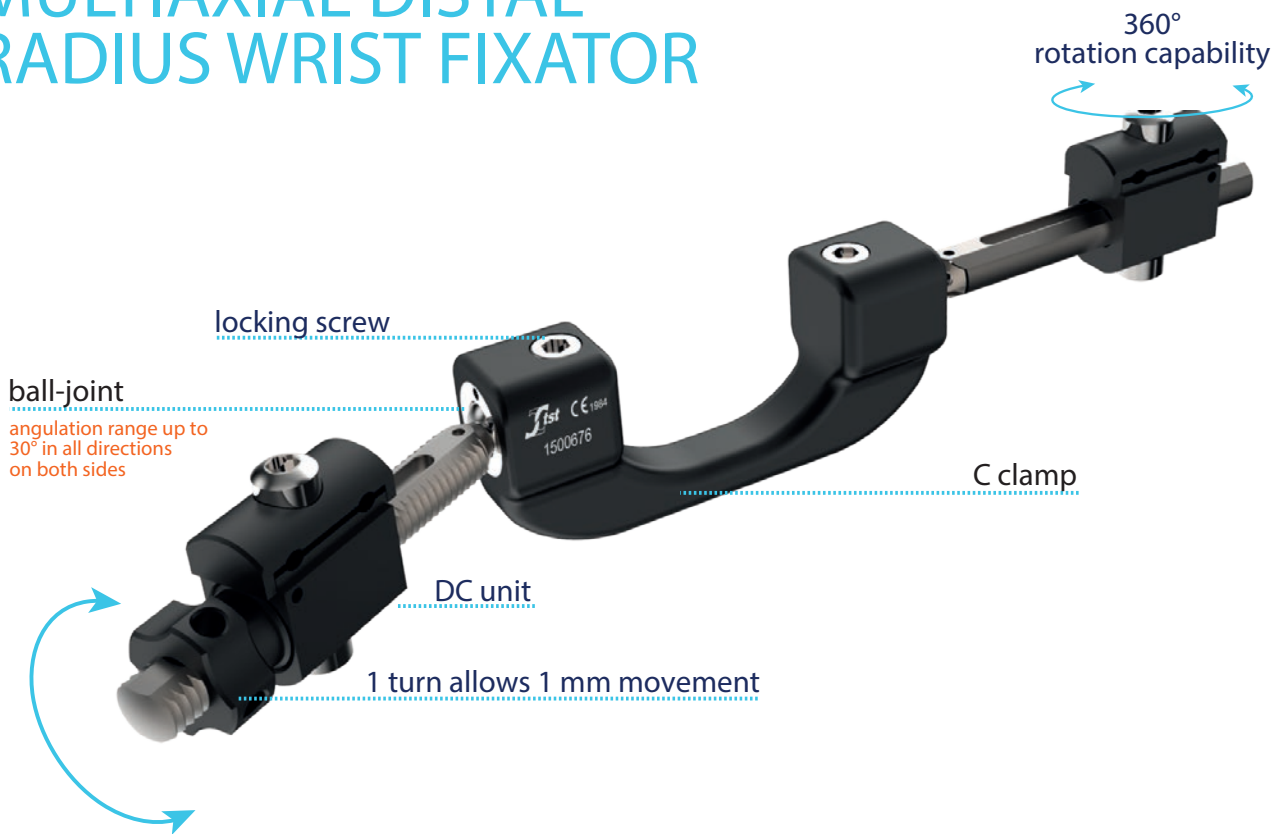
It is used in the treatment of joint stiffness, articular and periarticular fractures of distal radius and deformity corrections.

It is used with 3- 4 mm Schanz screws.



CODE	BARCODE	DESCRIPTION	TYPE	LENGTH (mm)
40640030103	8698673456570	DYNAMIC ANGLED CLAMP WRIST FIXATOR	SHORT	170
40640020102	8698673456587	DYNAMIC ANGLED CLAMP WRIST FIXATOR	STANDARD	195
40640010101	8698673456563	DYNAMIC ANGLED CLAMP WRIST FIXATOR	LONG	230

MULTIAXIAL DISTAL RADIUS WRIST FIXATOR



Another type of fixator for the hand-wrist application is the “Multiaxial Distal Radius Hand-Wrist fixator”.

It is composed of a central located C shaped body and bars which are connected with the ball-joint structure. Pin clamps can move on the bars for compression or distraction.

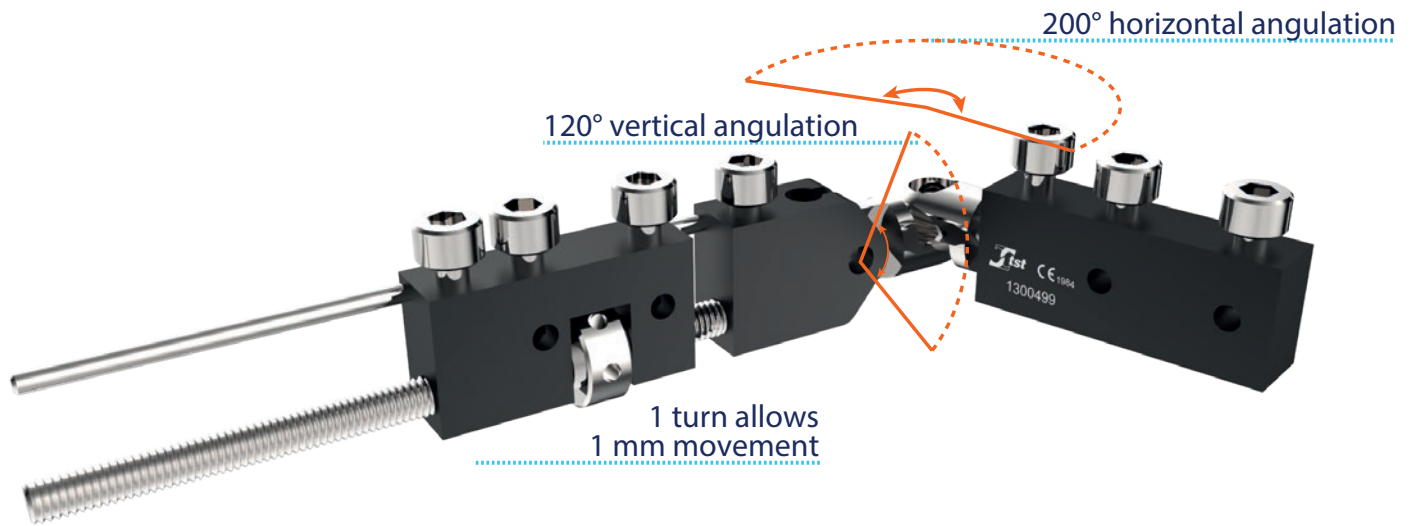
The C body of the fixator allows to view the fracture area.

CODE	BARCODE	DESCRIPTION	TYPE	LENGTH (mm)
40640020013	8698673456730	MULTIAXIAL DISTAL RADIUS WRIST FIXATOR	C	230



colles

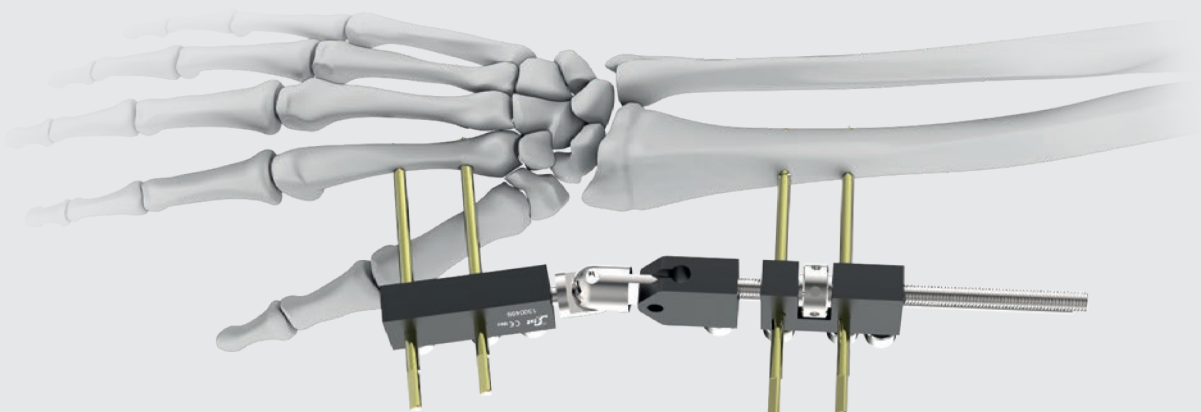
COLLES FIXATOR



Colles fractures are mostly seen on metaphysis of distal radius which is displaced to the dorsal; it is also characterized as dinner fork or bayonet deformity.

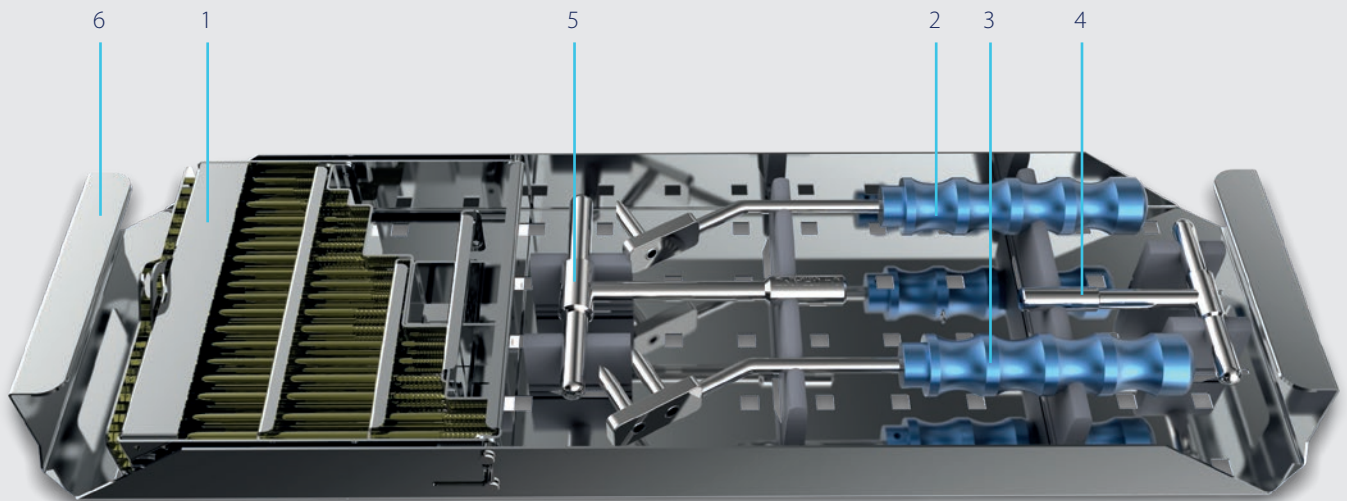
Colles fixators are designed for the treatment of colles fractures in combination with closed reduction.

CODE	BARCODE	DESCRIPTION	TYPE	LENGTH (mm)
40740010100	8698673454644	COLLES FIXATOR	COLLES	195



DAF HUMERUS & HAND-WRIST FIXATOR SET

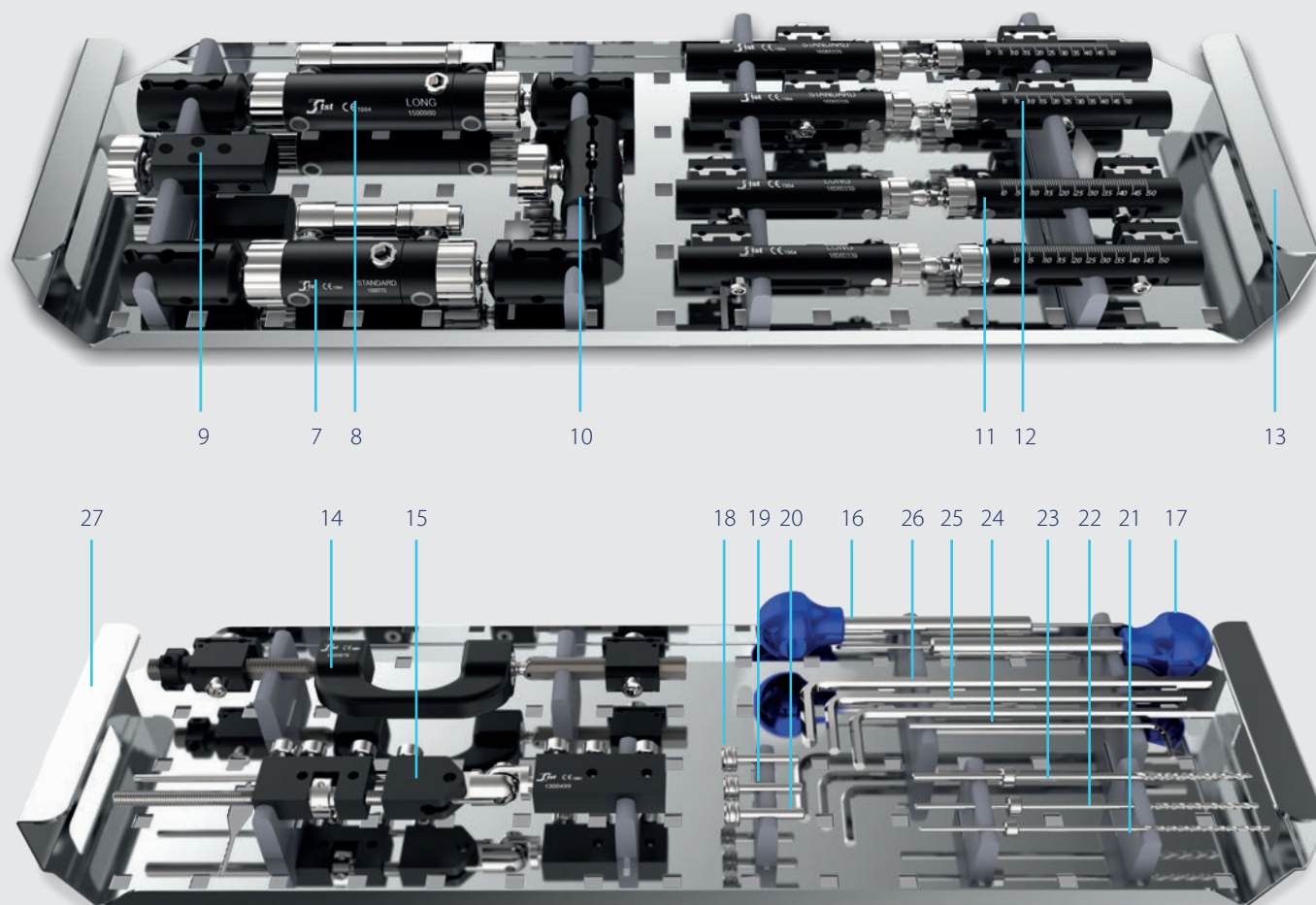
NO	CODE	BARCODE	DESCRIPTION	QTY
1	00000601300	8699931017182	3MM\4MM SCHANZ BOX	1
	20910101503	8698673455863	DAF SCHANZ PIN CORTICAL THREADED 3X15X100	4
	20910002003	8698673458543	DAF SCHANZ PIN CORTICAL THREADED 3X20X100	4
	20910002503	8698673455917	DAF SCHANZ PIN CORTICAL THREADED 3X25X100	4
	20910601503	8698673455832	DAF SCHANZ PIN CORTICAL THREADED 3X15X60	4
	20910602003	8698673455887	DAF SCHANZ PIN CORTICAL THREADED 3X20X60	4
	20910801503	8698673455849	DAF SCHANZ PIN CORTICAL THREADED 3X15X80	4
	20910802003	8698673455894	DAF SCHANZ PIN CORTICAL THREADED 3X20X80	4
	20910121503	8698673455870	DAF SCHANZ PIN CORTICAL THREADED 3X15X120	4
	20910202003	8698673455900	DAF SCHANZ PIN CORTICAL THREADED 3X20X120	4
	20910702004	8698673458604	DAF SCHANZ PIN CORTICAL THREADED 4X20X70	4
	20910801504	8698673458116	DAF SCHANZ PIN CORTICAL THREADED 4X15X80	4
	20910802004	8698673455962	DAF SCHANZ PIN CORTICAL THREADED 4X20X80	4
	20910002004	8698673473317	DAF SCHANZ PIN CORTICAL THREADED 4X20X100	4
	20910102504	8698673456013	DAF SCHANZ PIN CORTICAL THREADED 4X25X100	4
	20910202004	8698673455986	DAF SCHANZ PIN CORTICAL THREADED 4X20X120	4
	20910202504	8698673456020	DAF SCHANZ PIN CORTICAL THREADED 4X25X120	4
	20910402004	8698673458383	DAF SCHANZ PIN CORTICAL THREADED 4X20X140	4
	20910142504	8698673456037	DAF SCHANZ PIN CORTICAL THREADED 4X25X140	4
2	02005100012	8698673490703	DRILL GUIDE SINGLE WIRST FIXATOR	1
3	02005100015	8699931017854	DRILL GUIDE DOUBLE WRIST FIXATOR	1
4	04015000300	8698673492493	3 MM SCHANZ PIN T DRIVER	1
5	04015000400	8698673492509	4 MM SCHANZ PIN T DRIVER	1
6	00000703100	8699931017267	HUMERUS - WRIST DESIGN 1. TRAY	1



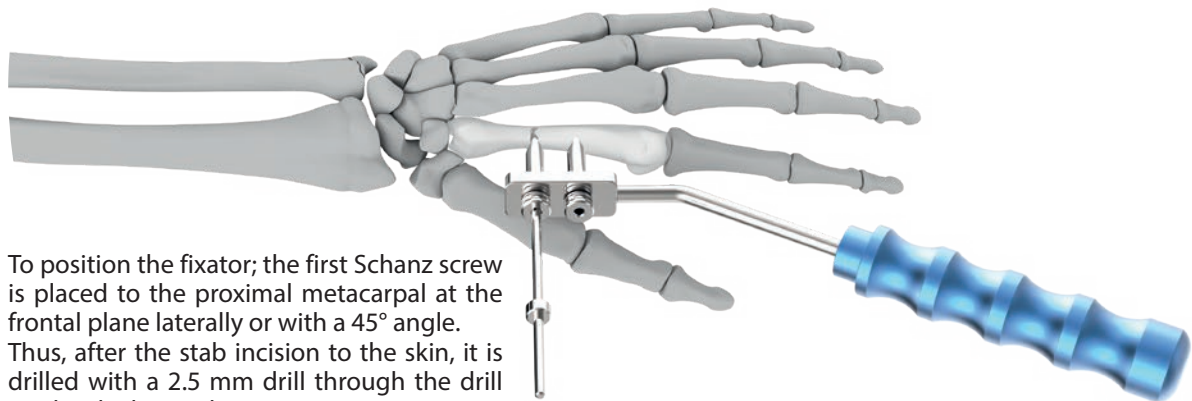
NO	CODE	BARCODE	DESCRIPTION	QTY
7	40840010101	8698673456525	DYN. MULTIAXIAL HUMERUS FIXATOR STD.	1
8	40840020101	8698673456518	DYN. MULTIAXIAL HUMERUS FIXATOR LONG	1
9	40840000300	8698673456709	HUMERUS 135° CLAMP	1
10	40840000200	8698673456716	HUMERUS T CLAMP	2
11	40640010101	8698673456563	DYNAMIC ANGLED CLAMP WRIST FIXATOR LONG	2
12	40640020102	8698673456587	DYNAMIC ANGLED CLAMP WRIST FIXATOR STANDARD	2
13	00000703200	8699931017274	HUMERUS - WRIST DESIGN 2. TRAY	1

NO	CODE	BARCODE	DESCRIPTION	QTY
14	40640020013	8698673456730	MULTIAXIAL DISTAL RADIUS WRIST FIXATOR	1
15	40740010100	8698673454644	COLLES FIXATOR	1
16	02005100025	8698673490178	AWL BLUNT TIP	1
17	02005100023	8698673490185	AWL TROCER TIP	1
18	02006000200	8699931015454	DRILL GUIDE SLEEVE 2 MM	1
19	02006000250	8699931017885	DRILL GUIDE SLEEVE 2.5MM	1
20	02006000320	8699931023411	DRILL GUIDE SLEEVE 3.2 MM	1
21	02005120000	8698673490833	DRILL BIT AND STOP UNIT 2 MM	2
22	02005125000	8698673492950	DRILL BIT AND STOP UNIT 2.5 MM	2
23	02005132000	8698673495432	DRILL BIT AND STOP UNIT 3.2 MM	2
24	04015000020	8699931015430	ALLEN WRENCH Ø 2 MM	1
25	04015000040	8698673490055	ALLEN WRENCH Ø 4 MM	2
26	04015000050	8698673496163	ALLEN WRENCH Ø 5 MM	1
27	00000703300	8699931017281	HUMERUS - WRIST DESIGN 3. TRAY	1
28	00560270150	8699931010275	CONTAINER 560X270X150 MM	1

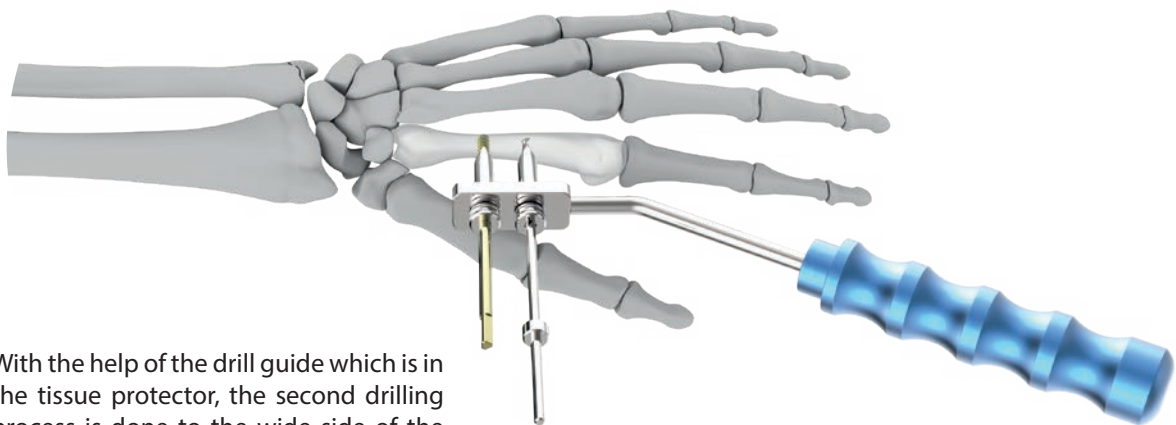
40140020400 8699931010091 HIBRIT CONNECTION CLAMP HUMERUS *



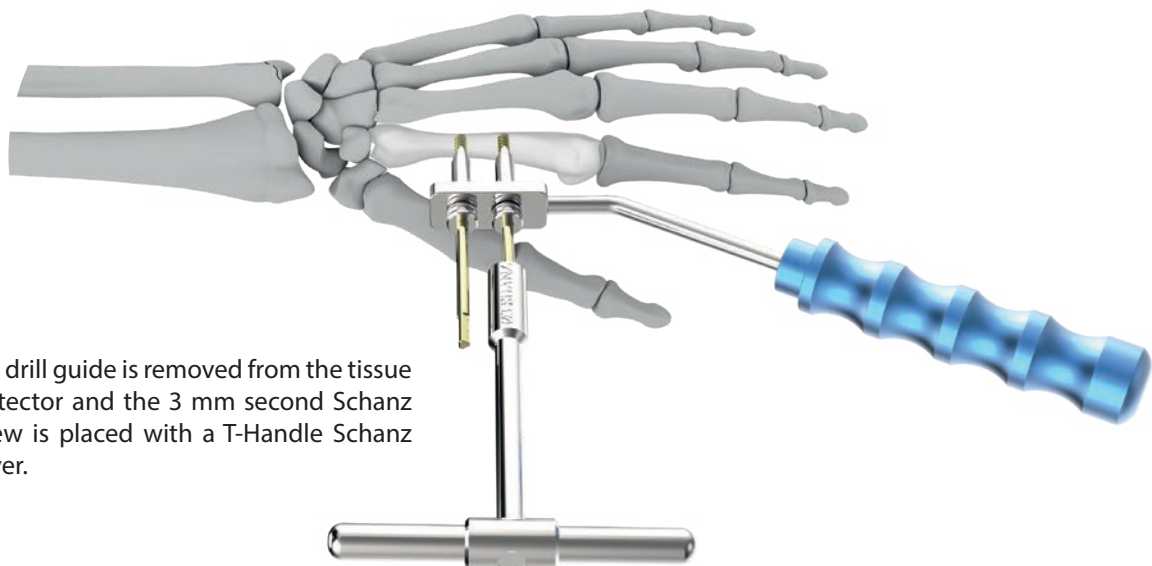
SURGICAL TECHNIQUE



To position the fixator; the first Schanz screw is placed to the proximal metacarpal at the frontal plane laterally or with a 45° angle. Thus, after the stab incision to the skin, it is drilled with a 2.5 mm drill through the drill guide which is in the Tissue protector.



With the help of the drill guide which is in the tissue protector, the second drilling process is done to the wide side of the metacarpal tubercle.

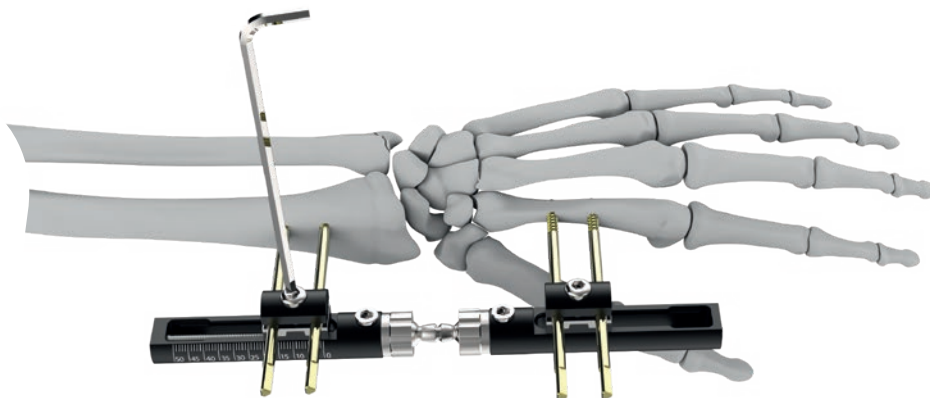


The drill guide is removed from the tissue protector and the 3 mm second Schanz screw is placed with a T-Handle Schanz driver.

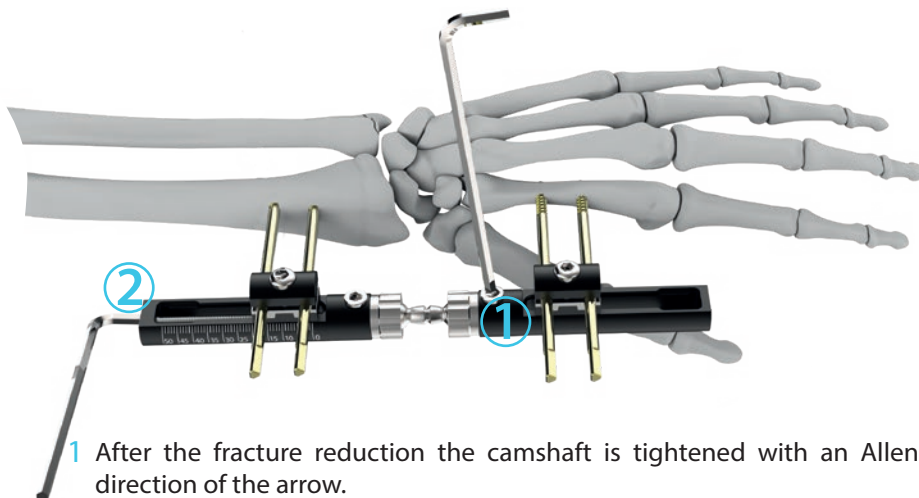


The fixator is temporarily mounted to the distal screws and the skin is marked for the proximal screw placement.

At that time the fixator body should be checked if it is partially open. Preserving the superficial branch of the radial nerve, a 3 cm skin incision is made. Then two Schanz screws are placed to the radius in the same way.



Following placing the Schanz screws the screw on the clamp is tightened with a 4 mm Allen key.



- 1 After the fracture reduction the camshaft is tightened with an Allen key in the direction of the arrow.
- 2 For achieving controlled compression and distraction, the locking bolt under the clamp is loosened and the central part of the compression distraction unit is turned by an Allen key. After obtaining the desired compression distraction the locking bolt of the clam is tightened for finishing the fixation.