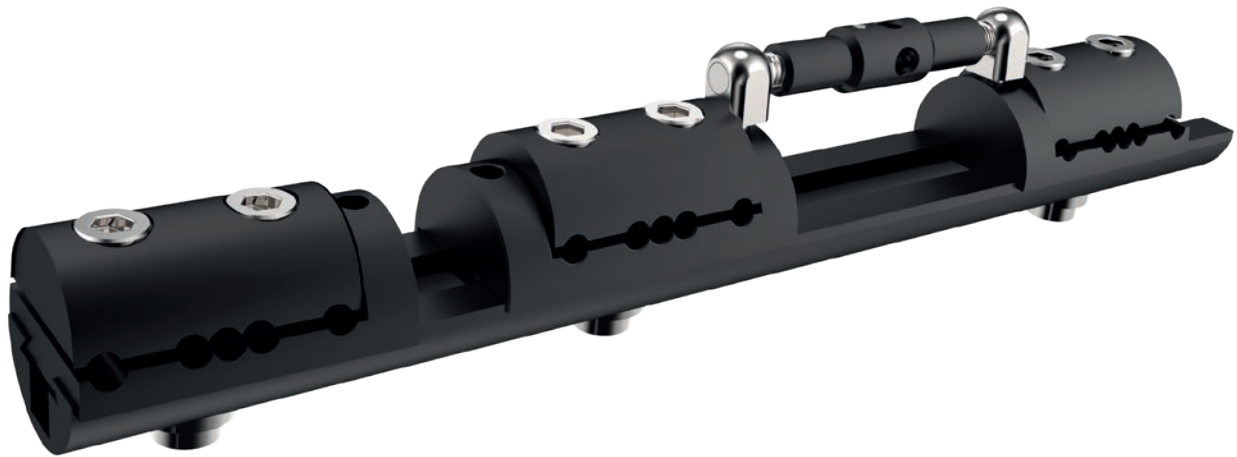




**LRS**



## SEGMANTEL FIXATOR

It is a single rail system fixator that can be placed from two up to four clamps.

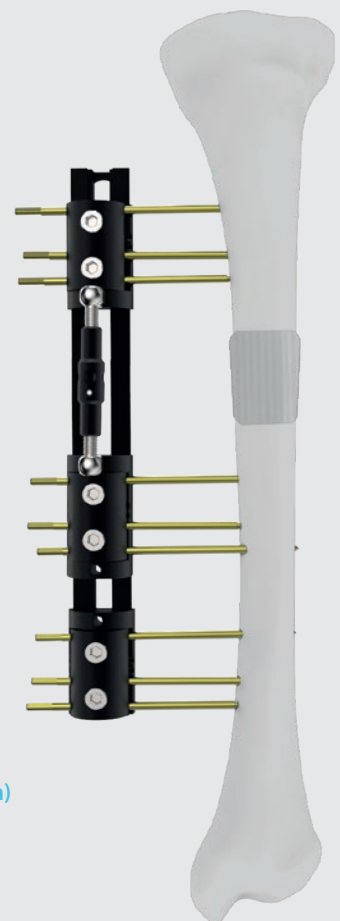
LRS also includes if required, different designed clamps as Micrometric swiveling correction clamp and T-clamp for the correction of specific deformities

For the bone transport with segmental dynamic fixator an osteotomy is performed at the metaphyseal area.

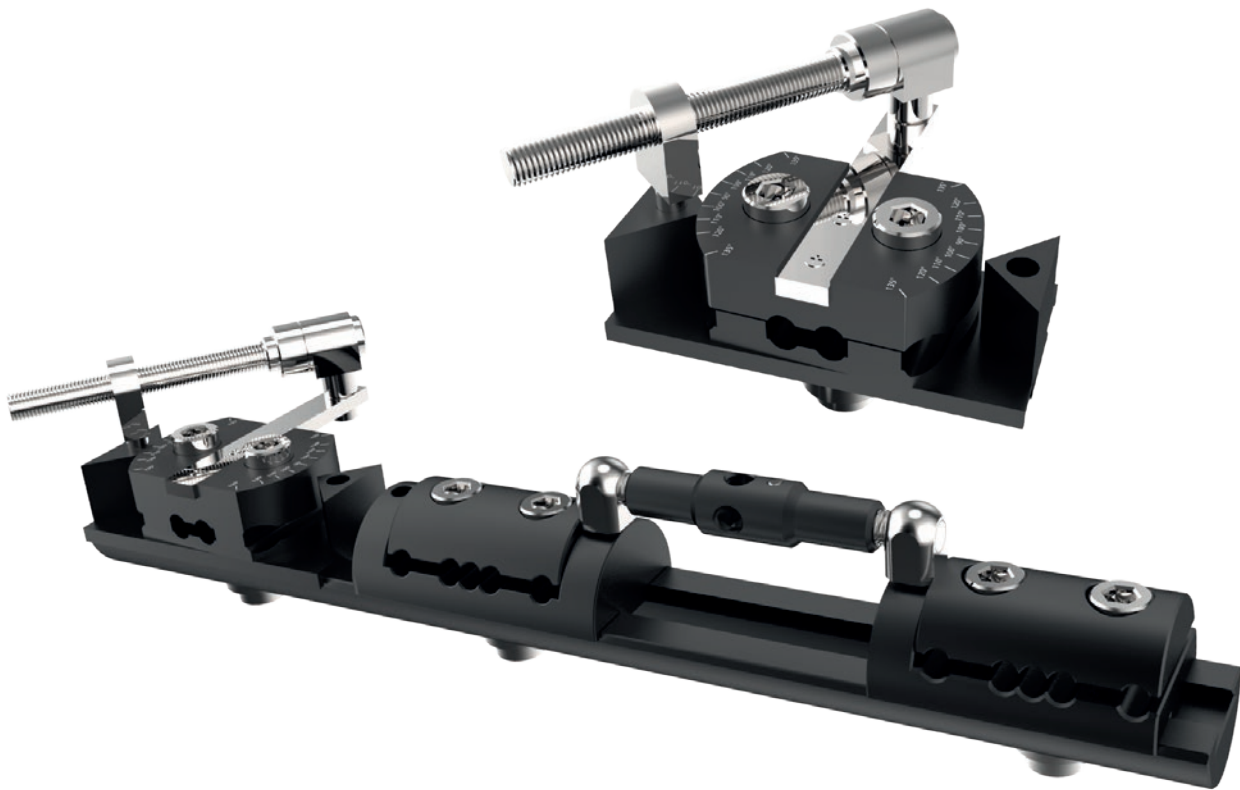
Then as the callus formation starts, the separated bone segment is slid with the callus formation. Day by day a certain amount of length in the right direction tries to fill the defect gap. Therefore with another osteotomy far from the first osteotomy line more lengthening can be performed by callostasis.

In shorter extremities some gabs which are not that big, can be closed immediately with the surgery.

Therefore with another osteotomy far from the first osteotomy line more lengthening can be performed by callostasis.



CODE	BARCODE	DESCRIPTION	TYPE	LENGTH (mm)
40340030001	8698673456846	SEGMANTEL FIXATOR	SHORT	200
40340020001	8698673456860	SEGMANTEL FIXATOR	STANDARD	250
40340010001	8698673456839	SEGMANTEL FIXATOR	LONG	300
40340010002	8698673457157	SEGMANTEL FIXATOR	EXTRA LONG	400



## LRS DEFORMITY FIXATOR

LRS system is used firstly at the orthopedics of the lower extremity long bones, nonunion treatment, bone transport, deformity correction and lengthening.

It is also used in the special cases given below;

Due to the high stability of the system at the complex trauma treatments,

LRS fixating femoral varus angle and the tibia, valgus deformities such as a variety of correction and the callus distraction in cases of bone lengthening,

In single centered extension and correction of deformity,

In multi-centered operations; bone transport, compression and simultaneously distraction in different areas,

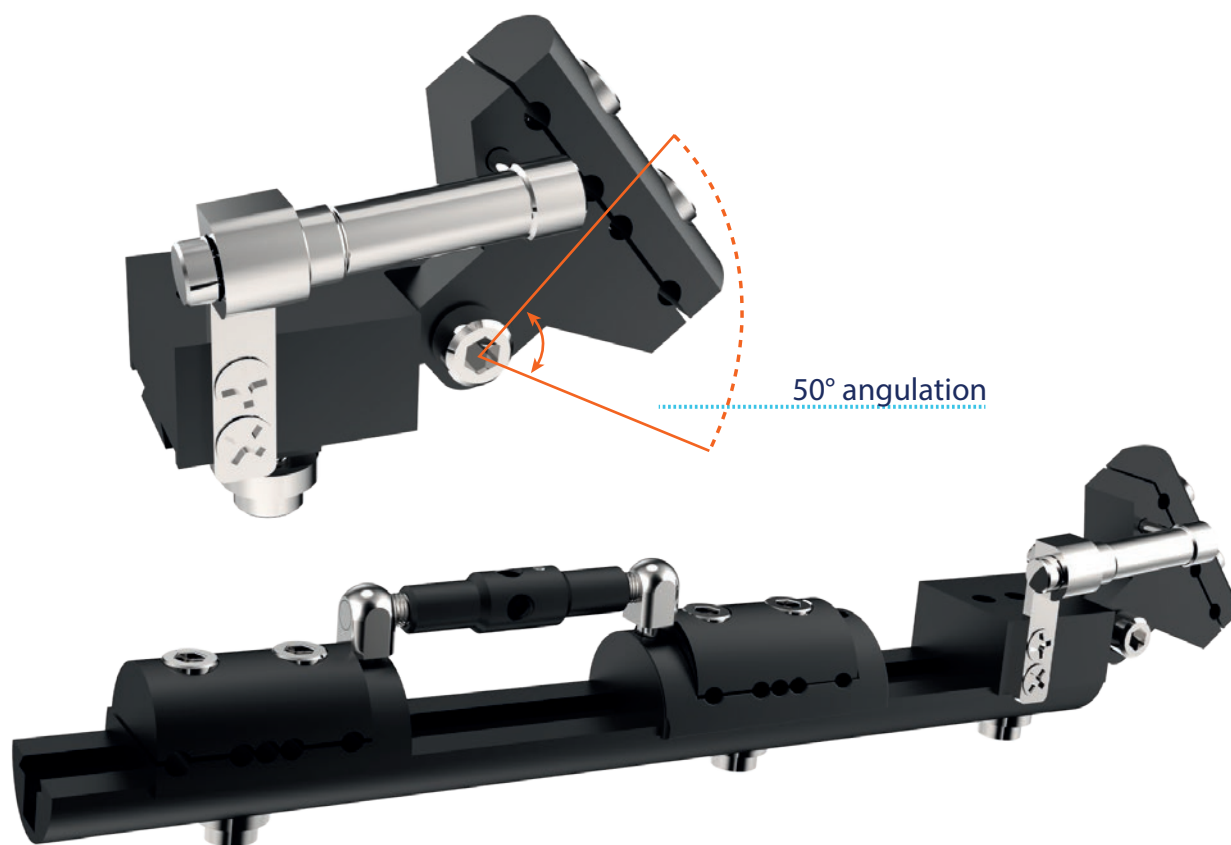
In correction of deformity by double centered extension & distraction,

In repairment and extension of the new fractures of extremity, non-union bone problems and cases of soft tissue damages and bone loss in distraction surgery.



CODE	BARCODE	DESCRIPTION
4144000014	8699931031669	RAIL SWIVEL GRADUAL CORRECT CLAMP

CODE	BARCODE	DESCRIPTION	TYPE	LENGTH (mm)
41440020000	8698673458611	LRS FIXATOR FOR CORRECT. OF DEFORMITY	STANDARD	250
41440010000	8698673456723	LRS FIXATOR FOR CORRECT. OF DEFORMITY	LONG	300



## SEGMANTEL T CLAMP LIMB FIXATOR

Distal femur procurvatum/ recurvatum deformity is corrected gradually by hemicallosis with specially angled T clamp structure of the fixator.

It is also used in the special cases given below;

In distal femur segmental fractures.

In segmental tibial large unstable shaft fractures with the usage of T clamp for proximal segment.

In the detection of distal tibial fractures; in the metaphysis with T clamp.

In the detection of proximal tibial fractures: gradual angular correction of proximal tibia varus or valgus deformities (Osteotomy is done by inserting T clamp on the proximal anteriorly).

In gradual angular correction of proximal varus or valgus deformities of short tibia and in cases of bone lengthening in deformity line.



CODE	BARCODE	DESCRIPTION
4144000012	8699931031645	RAIL T CLAMP

CODE	BARCODE	DESCRIPTION	TYPE	LENGTH (mm)
40440020100	8698673463561	SPECIAL LIMB FIXT T CLAMP SEGMENTAL	SHORT	200
40440010100	8698673456914	SPECIAL LIMB FIXT T CLAMP SEGMENTAL	LONG	300

# MODULAR LRS SYSTEM



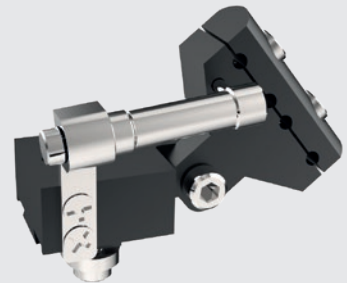
CODE	BARCODE	DESCRIPTION	TYPE	LENGTH (mm)
41440030200	8699931031522	RAIL SHORT	SHORT	200
41440020250	8699931031546	RAIL STANDARD	STANDARD	250
41440010300	8699931031560	RAIL LONG	LONG	300
41440110400	8699931031584	RAIL EXT-LONG	EXTRA LONG	400



Rail Swivel Gradual Correction Clamp



Compression-Distraction Unit



Rail T Clamp



Rail Clamp Outer



Rail Clamp Central

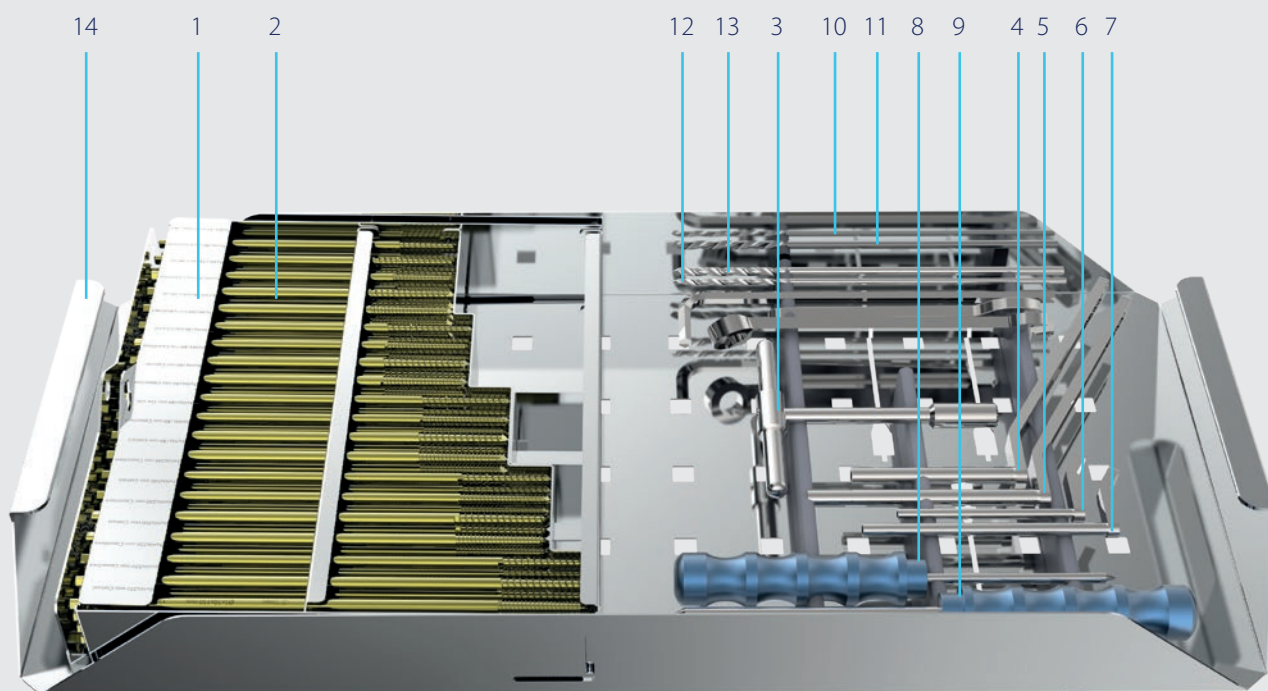


Mamef Angled Pin Carrier Unit



CODE	BARCODE	DESCRIPTION	TYPE	LENGTH (mm)
40150030000	8699931028751	COMPRESSION-DISTRACTION UNIT	SHORT	20 mm Extend
40150020000	8699931028768	COMPRESSION-DISTRACTION UNIT	STANDARD	40 mm Extend
41440000010	8699931031607	RAIL CLAMP OUTER	OUTER	
41440000011	8699931031621	RAIL CLAMP CENTRAL	CENTRAL	
41440000014	8699931031669	RAIL SWIVEL GRADUAL CORRECT CLAMP		
41440000012	8699931031645	RAIL T CLAMP		
42520000022	8699931030167	MAMEF RADIAL ANGLED PIN CARRIER UNIT	5 DEGREES	
42520000023	8699931030174	MAMEF RADIAL ANGLED PIN CARRIER UNIT	10 DEGREES	
42520000024	8699931030181	MAMEF RADIAL ANGLED PIN CARRIER UNIT	15 DEGREES	
42520000025	8699931030198	MAMEF RADIAL ANGLED PIN CARRIER UNIT	20 DEGREES	
42520000026	8699931030204	MAMEF ANGLED PIN CARRIER UNIT	5 DEGREES	
42520000027	8699931030211	MAMEF ANGLED PIN CARRIER UNIT	10 DEGREES	
42520000028	8699931030228	MAMEF ANGLED PIN CARRIER UNIT	15 DEGREES	
42520000029	8699931030235	MAMEF ANGLED PIN CARRIER UNIT	20 DEGREES	

NO	CODE	BARCODE	DESCRIPTION	QTY
1	20910153005	8698673456150	DAF SCHANZ PIN CORTICAL THREADED 5X30X150	5
2	20910184005	8698673458598	DAF SCHANZ PIN CORTICAL THREADED 5X40X180	5
	20910204005	8698673456228	DAF SCHANZ PIN CORTICAL THREADED 5X40X200	5
	21012004005	8698673454897	DAF SCHANZ PIN CANCELLOUS THRD. 5X40X200	5
	20910153006	8698673456259	DAF SCHANZ PIN CORTICAL THREADED 6X30X150	5
	20910184006	8698673458413	DAF SCHANZ PIN CORTICAL THREADED 6X40X180	5
	20910204006	8698673458581	DAF SCHANZ PIN CORTICAL THREADED 6X40X200	5
	21012204006	8698673455016	DAF SCHANZ PIN CANCELLOUS THRD. 6X40X220	5
	00415210000	8699931005134	5MM-6MM SCHANZ BOX	1
3	04015000600	8698673492523	5-6 MM UNIVERSAL SCHANZ T HANDLE	1
4	04025000020	8698673490680	FEMUR & TIBIA FIX. SCHANZ GUIDE Ø 6 MM	4
5	04025000030	8698673490666	FEMUR & TIBIA FIX. SCHANZ GUIDE Ø 5 MM	4
6	03550020032	8680858408658	FEMUR & TIBIA FIX. DRILL SLEEVE Ø 3.2 X 200 MM	1
7	03550020045	8680858408665	FEMUR & TIBIA FIX. DRILL SLEEVE Ø 4.5 X 200 MM	1
8	03550000005	8680858408672	FEMUR & TIBIA FIX. TROCAR Ø 5 MM	1
9	03550000006	8680858408689	FEMUR & TIBIA FIX. TROCAR Ø 6 MM	1
10	22310200032	8698673450455	BONE DRILL 3.2 X 200 MM (STOP)	2
11	22310200045	8698673450493	BONE DRILL 4.5 X 200 MM (STOP)	2
12	04015000060	8698673490062	ALLEN WRENCH Ø 6 MM	1
13	04015000020	8699931015430	ALLEN WRENCH Ø 2 MM	1
14	00000208100	8699931017908	1.DESIGN TRAY FOR DAF	1



CODE	BARCODE	DESCRIPTION	QTY
40340030001	8698673456846	SEGMANTEL FIXATOR SHORT	1
40340020001	8698673456860	SEGMANTEL FIXATOR STANDARD	1
40340010001	8698673456839	SEGMANTEL FIXATOR LONG	1
40340010002	8698673457157	SEGMANTEL FIXATOR EXTRA LONG	1
41440010000	8698673456723	LRS FIXATOR FOR CORRECT. OF DEFORMITY LONG	*
41440020000	8698673458611	LRS FIXATOR FOR CORRECT. OF DEFORMITY STD	*
40440010100	8698673456914	SPECIAL LIMB FIXT T CLAMP SEGMENTAL LONG	*
40440020100	8698673463561	SPECIAL LIMB FIXT T CLAMP SEGMENTAL SHORT	*
00000208200	8699931017915	1.DESIGN TRAY FOR DAF	2
00560270125	8699931010923	CONTAINER	1

#### MODULAR LRS SYSTEM

CODE	BARCODE	DESCRIPTION	QTY
41440330120	8699931031508	RAIL EXT-SHORT 120 MM	1
41440030200	8699931031522	RAIL SHORT 200 MM	1
41440020250	8699931031546	RAIL STANDARD 250 MM	1
41440010300	8699931031560	RAIL LONG 300 MM	1
41440110400	8699931031584	RAIL EXT-LONG 400 MM	1
41440000010	8699931031607	RAIL CLAMP OUTER	2
41440000011	8699931031621	RAIL CLAMP CENTRAL	1
41440000012	8699931031645	RAIL T CLAMP	1
41440000014	8699931031669	RAIL SWIVEL GRADUAL CORRECT. CLAMP	1
40150020000	8699931028768	COMPRESSION-DISTRACTION UNIT 40mm	1
40150040000	8699931028782	COMPRESSION-DISTRACTION UNIT 80mm	1
42520000022	8699931030167	MAMEF RADIAL ANGLED PIN CARRIER UNIT 5 DEGREES	*
42520000023	8699931030174	MAMEF RADIAL ANGLED PIN CARRIER UNIT 10 DEGREES	*
42520000024	8699931030181	MAMEF RADIAL ANGLED PIN CARRIER UNIT 15 DEGREES	*
42520000025	8699931030198	MAMEF RADIAL ANGLED PIN CARRIER UNIT 20 DEGREES	*
42520000026	8699931030204	MAMEF ANGLED PIN CARRIER UNIT 5 DEGREES	*
42520000027	8699931030211	MAMEF ANGLED PIN CARRIER UNIT 10 DEGREES	*
42520000028	8699931030228	MAMEF ANGLED PIN CARRIER UNIT 15 DEGREES	*
42520000029	8699931030235	MAMEF ANGLED PIN CARRIER UNIT 20 DEGREES	*