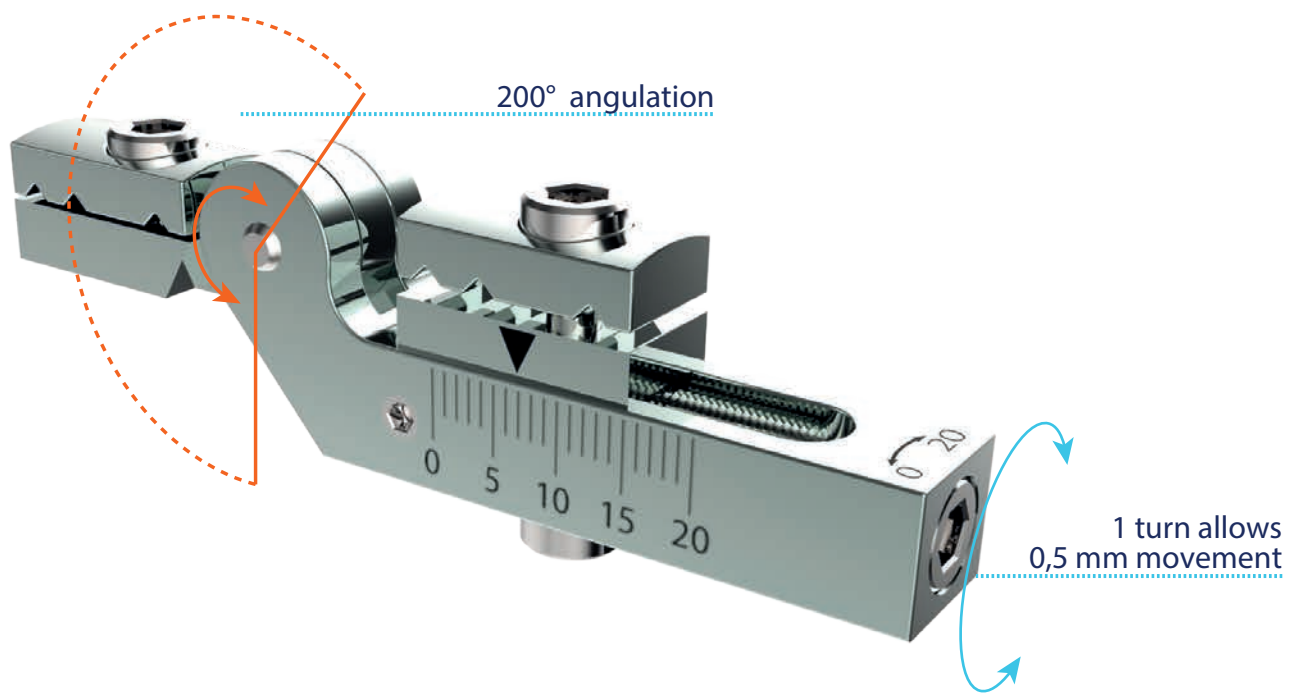




minifix

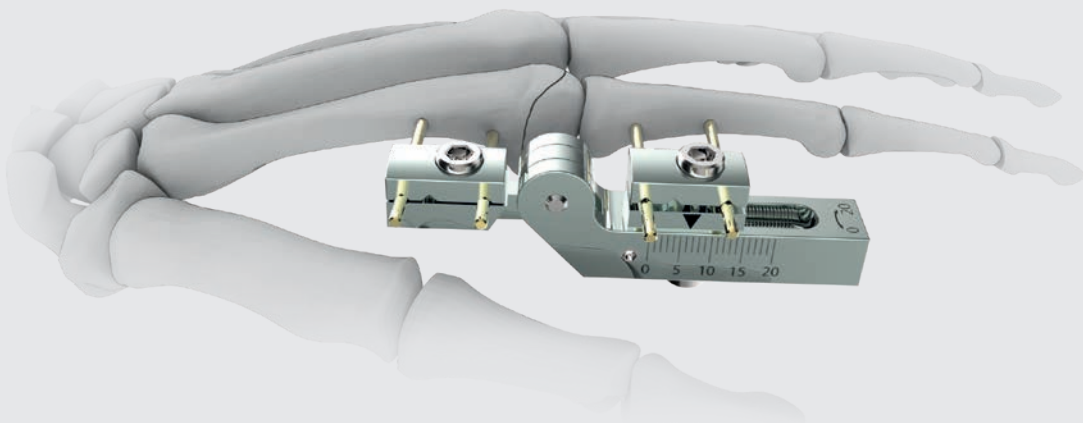


FINGER MANDIBULAR FIXATOR JOINT

It is a jointed clamp forming horizontal hinge structure, and it is capable of the compression and distraction. 200° angulations.

Distraction-compression screw provides 0.5mm movement when it is completed a full tour.

There is a scale on the fixator providing control of distraction and compression.



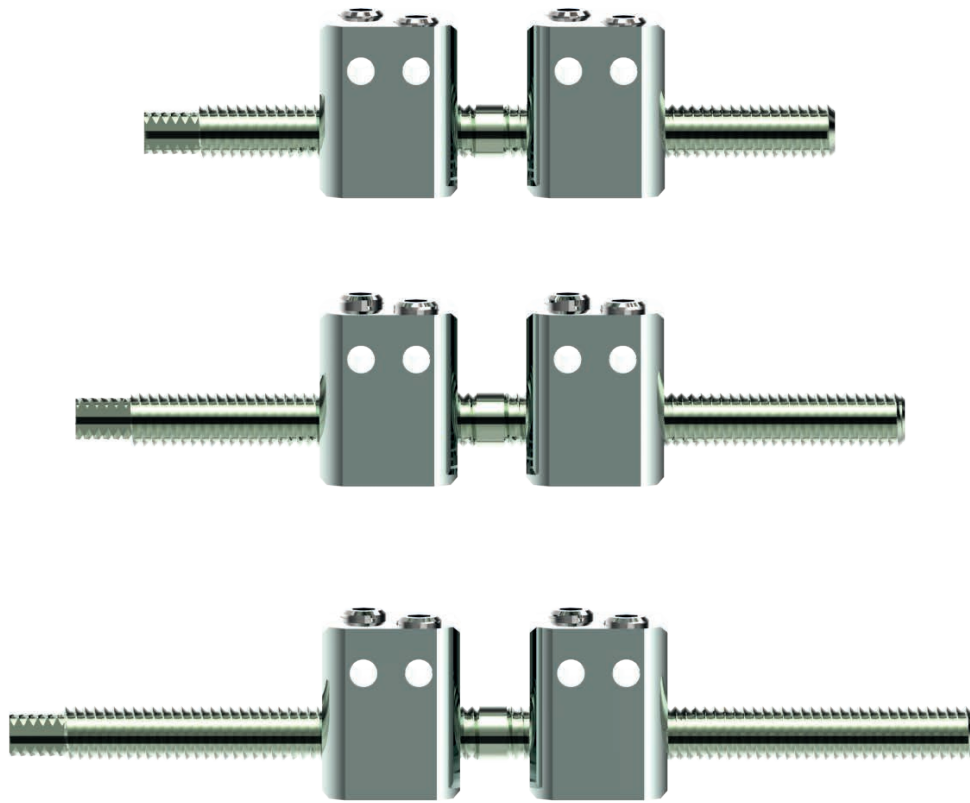
CAT. CODE
41141020100

BARCODE
8698673456655

DESCRIPTION
FINGER AND MANDIBULA FIXATOR JOINT

TYPE
JOINT

LENGTH (mm)
60

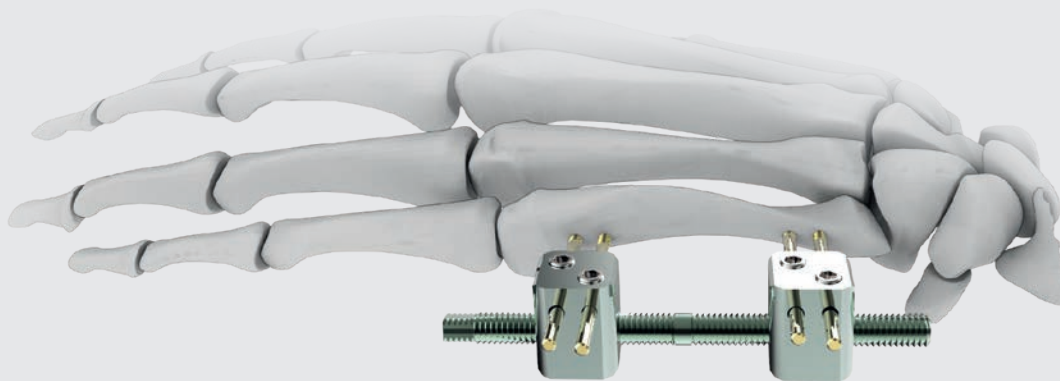


FINGER MANDIBULAR FIXATOR

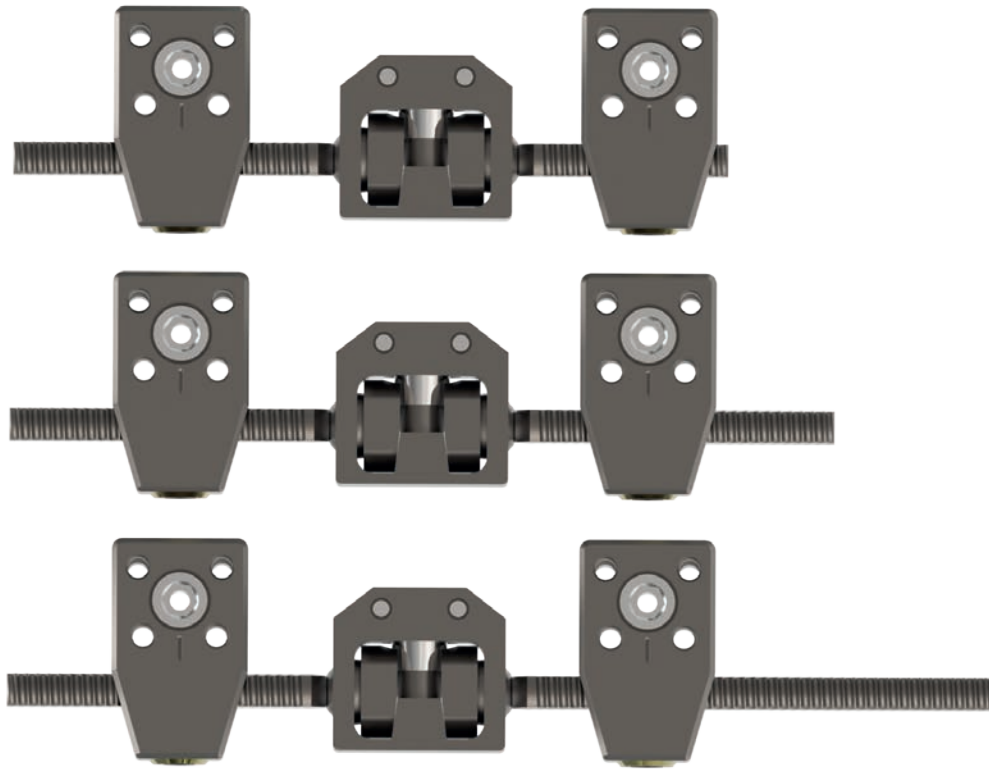
Consisting of two or three clamps which mobilizes integrated with threaded bar.

Compression and distraction movement is obtained after the fixing the clamps by turning the fixator bar with key holders.

Fixator bar provides 1.5 mm movement between clamps when it is swivelled a full tour.



CAT. CODE	BARCODE	DESCRIPTION	TYPE	LENGTH (mm)
41140030100	8698673456679	FINGER AND MANDIBULA FIXATOR SHORT	SHORT	50
41140020100	8698673456686	FINGER AND MANDIBULA FIXATOR STANDART	STANDARD	60
41140010100	8698673456662	FINGER AND MANDIBULA FIXATOR LONG	LONG	70

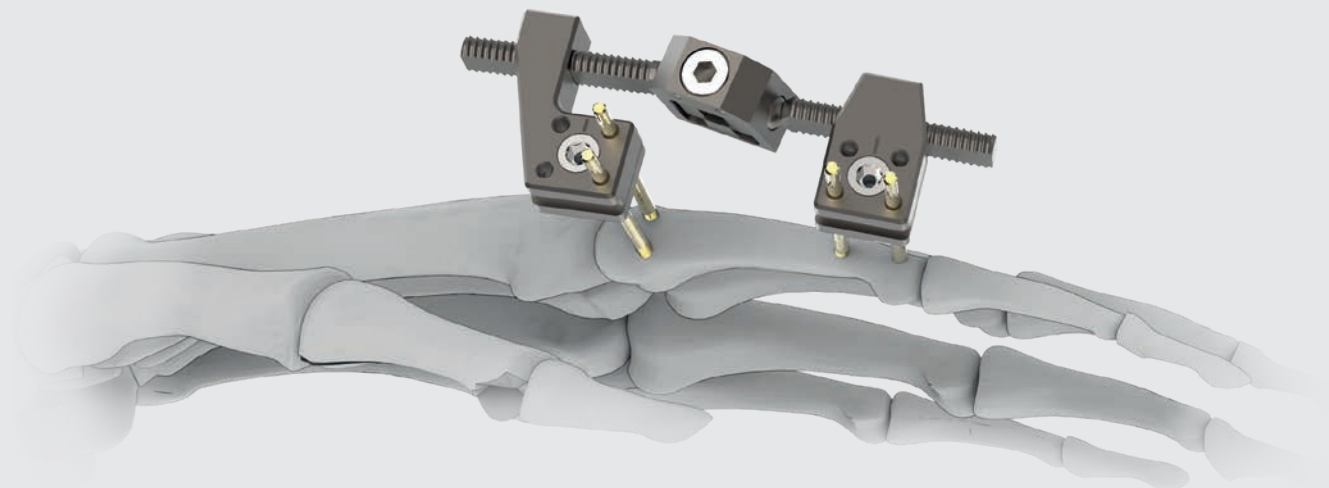


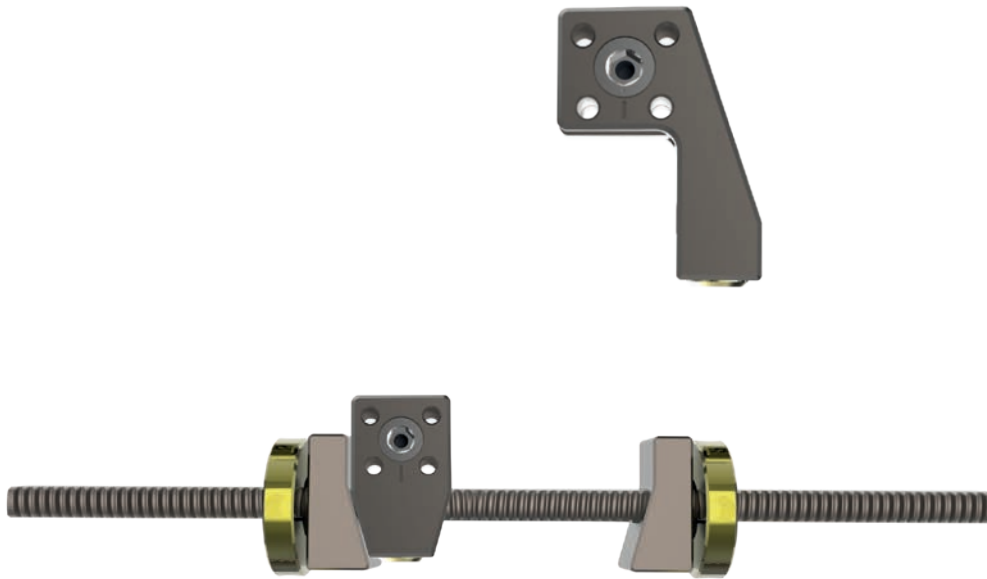
MINI FIXATOR

Mini fixator consists of two bars fixed with the moving body and clamps forwarding on the threads of these bars with the DC discs.

It is applicable even in confined spaces and enables to send schanz screws parallel to the articular surface under favour of its innovative design.

CAT. CODE	BARCODE	DESCRIPTION	TYPE	LENGTH (mm)
42020020001	8680858406678	MINI FIXATOR STANDARD	STANDARD	75
42020010001	8680858406661	MINI FIXATOR LONG	LONG	90





MINI FIXATOR LENGTHENING BAR *

Mini fixator extension bar is used for bone extension and transport.

It has three different lengths (80-100-120mm).

It is typically used with two schanz screws but third schanz screw can be used to increase stability especially in osteoporotic and metatarsal bones.

Extension bars are used with standard and/or L-clamp and spacer.

One side of the spacer which is designed compatible with the clamp edge sections is angular and the other side of it is flat.

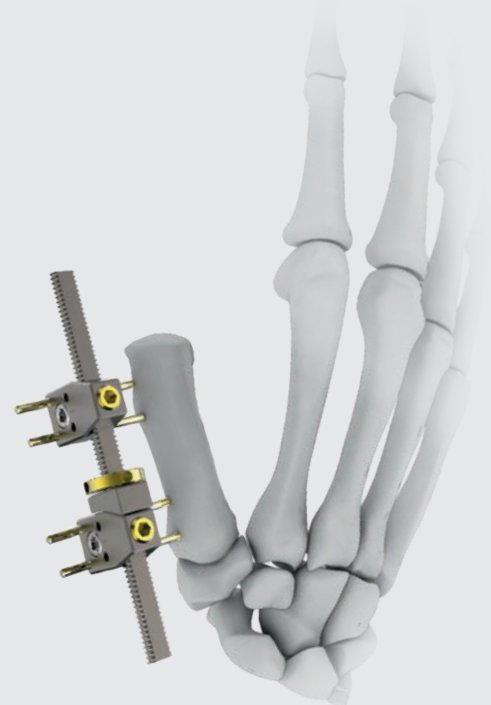
DC nut is applied in a way that it touches the flat side of spacer by positioning standard clamp in contact with side.

Thus, full surface contact is provided between the DC nut and the standard clamp during distraction.

There is no need for a connector / spacer if the distraction will be done using the T-clamp.

These processes must be done before fitting the second clamp in either situations.

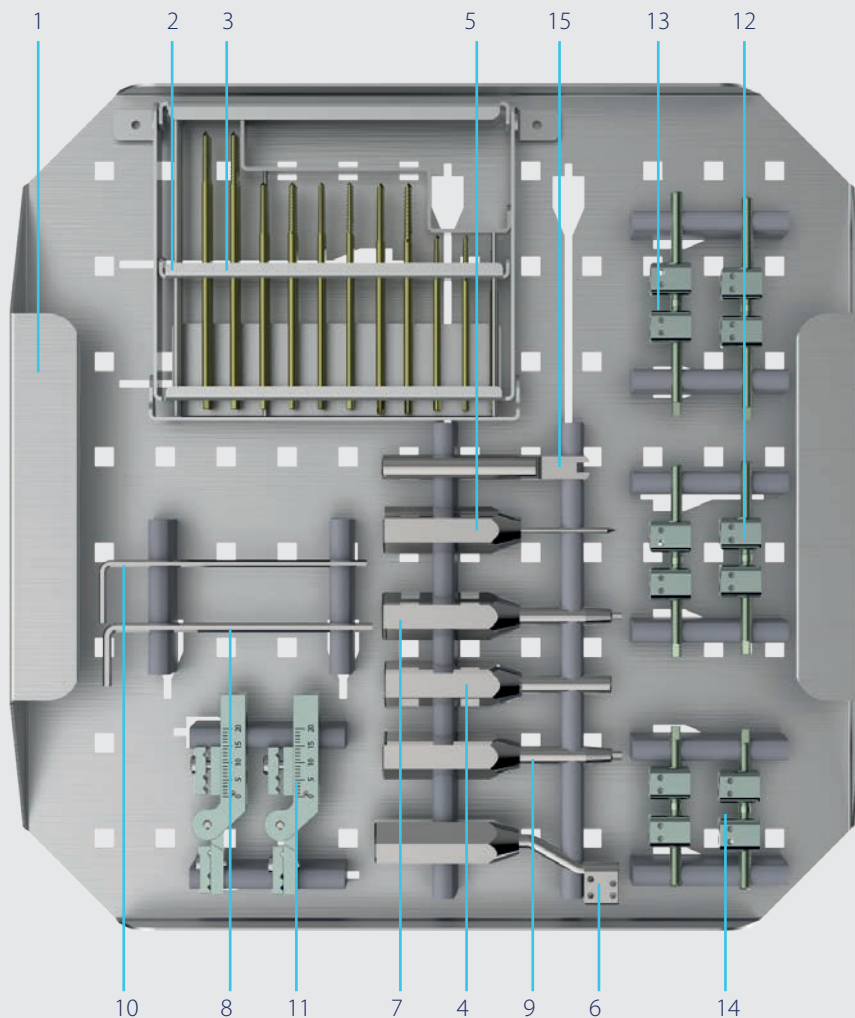
DC nut moves 1 mm when it is turned a full tour.



CAT. CODE	BARCODE	DESCRIPTION	LENGTH (mm)
42025020001	8680858462629	MINI FIXATOR STANDARD WITH L-CLAMP R	100
42026020001	8680858462636	MINI FIXATOR STANDARD WITH L-CLAMP L	
42020020004	8680858406722	MINI FIXATOR LENGTHENING BAR STANDARD	

MINI FIXATOR SET

NO	CODE	BARCODE	DESCRIPTION	QTY
1	00000603100	8699931024111	FINGER FIXATOR DESIGN TRAY	1
2	00000603200	8699931024128	FINGER FIXATOR SCHANZ BOX	1
	20920061502	8698673455283	DAF SCHANZ PIN CORT.THRD.(TI) 2X15X60	10
	20920081502	8699931012590	DAF SCHANZ PIN CORT.THRD.(TI) 2X15X80	10
	20920082002	8699931012613	DAF SCHANZ PIN CORT.THRD.(TI) 2X20X80	10
	20920101502	8699931012606	DAF SCHANZ PIN CORT.THRD.(TI) 2X15X100	10
3	04100020023	8680858431977	PROTECTIVE CAP FOR 2-3 MM SCHANZ	10
4	04015000201	8698673493056	SCHANZ DRIVER Ø 2 MM	1
5	04015000010	8699931005318	TROCAR BIZ	1
6	08090000001	8699931003536	DRILL SCHANZ GUIDE	1
7	08040000020	8699931017823	SCREW DRIVER Ø 2 MM	1
8	04015000020	8699931015430	ALLEN WRENCH Ø 2 MM	2
9	08040000125	8698673494428	SCREW DRIVER Ø 2.5 MM	1
10	04015000025	8699931010725	ALLEN WRENCH Ø 2.5 MM	2
11	41141020100	8698673456655	FINGER AND MANDIBULA FIXATOR JOINT	2
12	41140020100	8698673456686	FINGER AND MANDIBULA FIXATOR STANDARD	2
13	41140010100	8698673456662	FINGER AND MANDIBULA FIXATOR LONG	2
14	41140030100	8698673456679	FINGER AND MANDIBULA FIXATOR SHORT	2
15	41140000000	8698673479654	MANDIBULAR FIXATOR TIGHTENING WRENCH	1



NO	CODE	BARCODE	DESCRIPTION	QTY
16	00000603300	8680858409211	MINI FIXATOR DESIGN TRAY	1
17	42020010001	8680858406661	MINI FIXATOR LONG	1
18	42020020001	8680858406678	MINI FIXATOR STANDARD	1
19	04015000030	8698673490048	ALLEN WRENCH Ø 3 MM	2
20	02345020000	8698673493506	PLATE-WIRE CUTTER UP TO Ø 3 MM	1
21	02060000100	8680858409198	MINI FIXATOR REDUCTION FORCEPS	2
22	02060000200	8680858409204	PIN EXTRACTOR - NUT WRENCH	1
23	0270270080	8699931009019	CONTAINER 270X270X80 MM	1

Please check the own catalog for detailed informations.

