

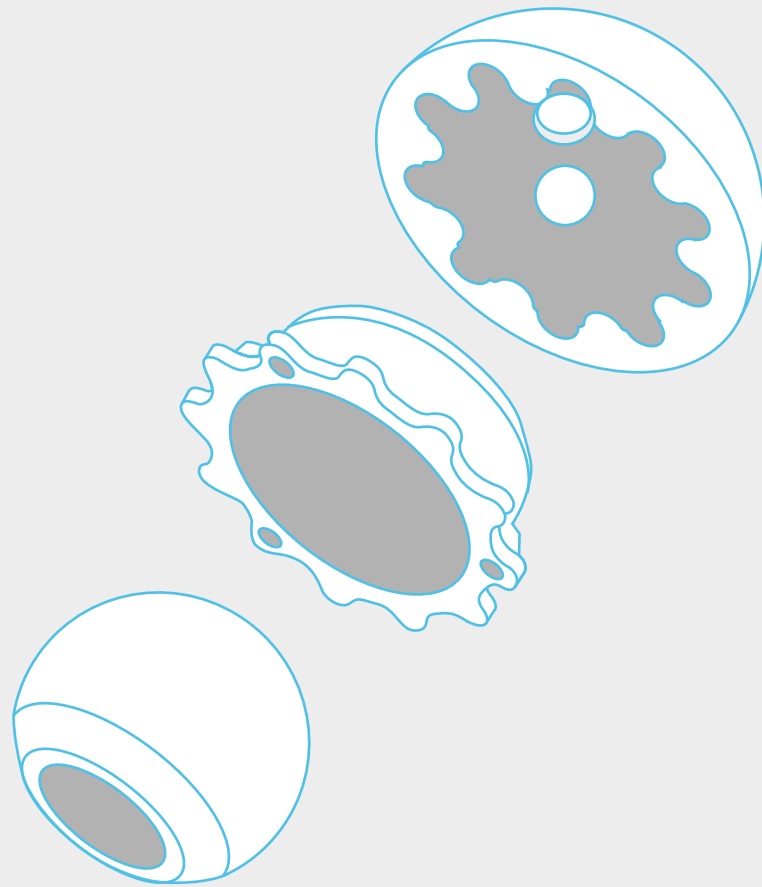


hipprosthesiscatalog

**tst**

Orthopedic Implants

# TOTAL HIP PROSTHESIS



# Cemented | Instruments

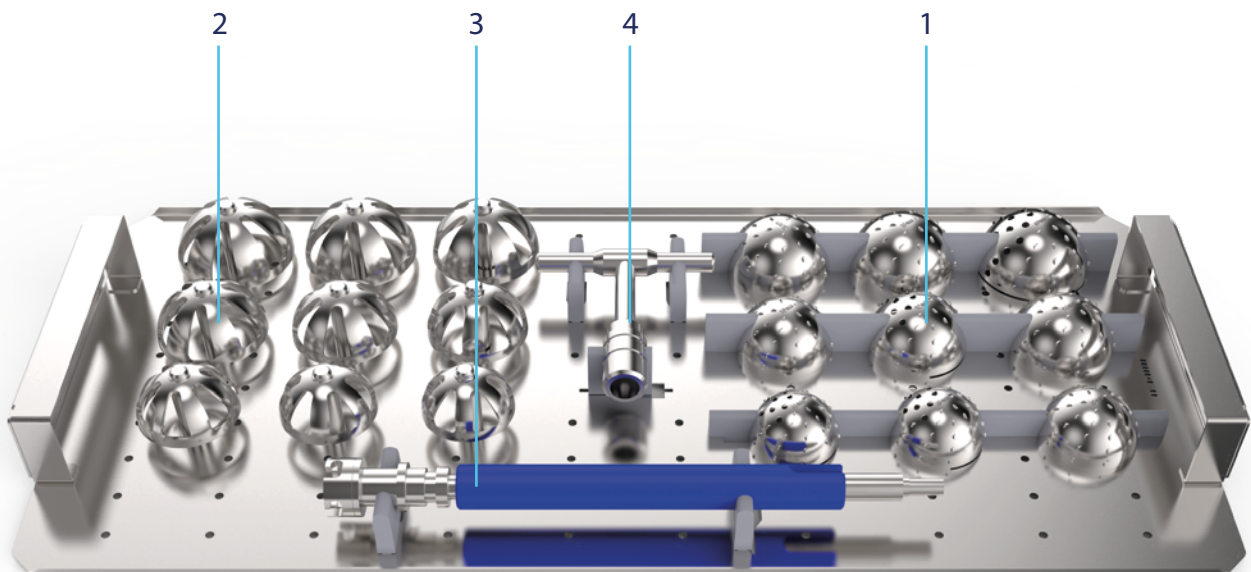
Code	Barcode	Description	Qty.
00000505100	8699931024012	TRAY 1 FOR PRESS FITS	
01193000144	8699931023268	ACETABULAR REAMER CEMENTED 44 MM	1
01193000146	8699931023275	ACETABULAR REAMER CEMENTED 46 MM	1
01193000148	8699931023282	ACETABULAR REAMER CEMENTED 48 MM	1
01193000150	8699931023299	ACETABULAR REAMER CEMENTED 50 MM	1
01193000152	8699931023305	ACETABULAR REAMER CEMENTED 52 MM	1
01193000154	8699931023312	ACETABULAR REAMER CEMENTED 54 MM	1
01193000156	8699931023329	ACETABULAR REAMER CEMENTED 56 MM	1
01193000158	8699931023336	ACETABULAR REAMER CEMENTED 58 MM	1
01193000160	8699931023343	ACETABULAR REAMER CEMENTED 60 MM	1
01107002844	8698673495890	ACETABULAR CUP TRIAL 44 MM	1
01107002846	8698673495906	ACETABULAR CUP TRIAL 46 MM	1
01107002848	8698673495913	ACETABULAR CUP TRIAL 48 MM	1
01107002850	8698673495920	ACETABULAR CUP TRIAL 50 MM	1
01107002852	8698673495937	ACETABULAR CUP TRIAL 52 MM	1
01107002854	8698673495944	ACETABULAR CUP TRIAL 54 MM	1
01107002856	8698673495951	ACETABULAR CUP TRIAL 56 MM	1
01107002858	8698673495968	ACETABULAR CUP TRIAL 58 MM	1
01107002860	8698673495975	ACETABULAR CUP TRIAL 60 MM	1
01152000109	8698673496019	ACETABULAR REAMER HOLDER	1
01193000023	8698673493780	T QUICK HANDLE	1
01192000110	8698673495982	ACETABULAR TRIAL HOLDER	1
00000501100	8699931023954	TRAY (545X255X40 MM) FOR BIPOLAR HEADS	1
01212000111	8680858419098	ACETABULAR CUP POSITIONING DEVICE	1
01192000112	8698673495869	ACETABULAR CUP INSERTER	1
01192000010	8698673495401	FEMORAL HEAD EXTRACTOR	1
01190000101	8699931030990	FEMORAL HEAD MEASUR.DEVICE	1
01152000101	8680858414895	MODULAR HEAD IMPACTOR	1
01152000102	8680858414901	MODULAR TRIAL HEAD EXTRACTOR	1
01192800118	8698673496385	28 MM TRIAL HEAD XSMALL	1
01192800218	8698673495517	28 MM TRIAL HEAD SMALL	1
01192800318	8698673495500	28 MM TRIAL HEAD MEDIUM	1
01192800418	8698673495494	28 MM TRIAL HEAD LONG	1
01192800518	8698673495524	28 MM TRIAL HEAD XLONG	1
00560270150	8699931010275	CONTAINER 560X270X150 MM	

# Cemented Implants

	Code	Barcode	Description	Qty.
Acetabular Cup 0°	011070002844	8698673432925	ACETABULAR CUP 0° 28X44 MM	1
	011070002846	8698673432932	ACETABULAR CUP 0° 28X46 MM	1
	011070002848	8698673432949	ACETABULAR CUP 0° 28X48 MM	1
	011070002850	8698673432956	ACETABULAR CUP 0° 28X50 MM	1
	011070002852	8698673432963	ACETABULAR CUP 0° 28X52 MM	1
	011070002854	8698673432970	ACETABULAR CUP 0° 28X54 MM	1
	011070002856	8698673432987	ACETABULAR CUP 0° 28X56 MM	1
	011070002858	8698673432994	ACETABULAR CUP 0° 28X58 MM	1
	011070002860	8698673433007	ACETABULAR CUP 0° 28X60 MM	1
Acetabular Cup 10°	011070102844	8698673433014	ACETABULAR CUP 10°28X44 MM	1
	011070102846	8698673433021	ACETABULAR CUP 10°28X46 MM	1
	011070102848	8698673433090	ACETABULAR CUP 10°28X48 MM	1
	011070102850	8698673433038	ACETABULAR CUP 10°28X50 MM	1
	011070102852	8698673433045	ACETABULAR CUP 10°28X52 MM	1
	011070102854	8698673433052	ACETABULAR CUP 10°28X54 MM	1
	011070102856	8698673433069	ACETABULAR CUP 10°28X56 MM	1
	011070102858	8698673433076	ACETABULAR CUP 10°28X58 MM	1
	011070102860	8698673433083	ACETABULAR CUP 10°28X60 MM	1
CoCrMo Moduler Head	010730001228	8698673431058	MODULAR HEAD COCRM0 28 MM X SMALL 12-14	1
	010730051228	8698673431041	MODULAR HEAD COCRM0 28 MM SMALL 12-14	1
	010730101228	8698673431034	MODULAR HEAD COCRM0 28 MM MEDIUM 12-14	1
	010730151228	8698673431065	MODULAR HEAD COCRM0 28 MM LONG 12-14	1
	010730201228	8698673434042	MODULAR HEAD COCRM0 28 MM XLONG 12-14	1

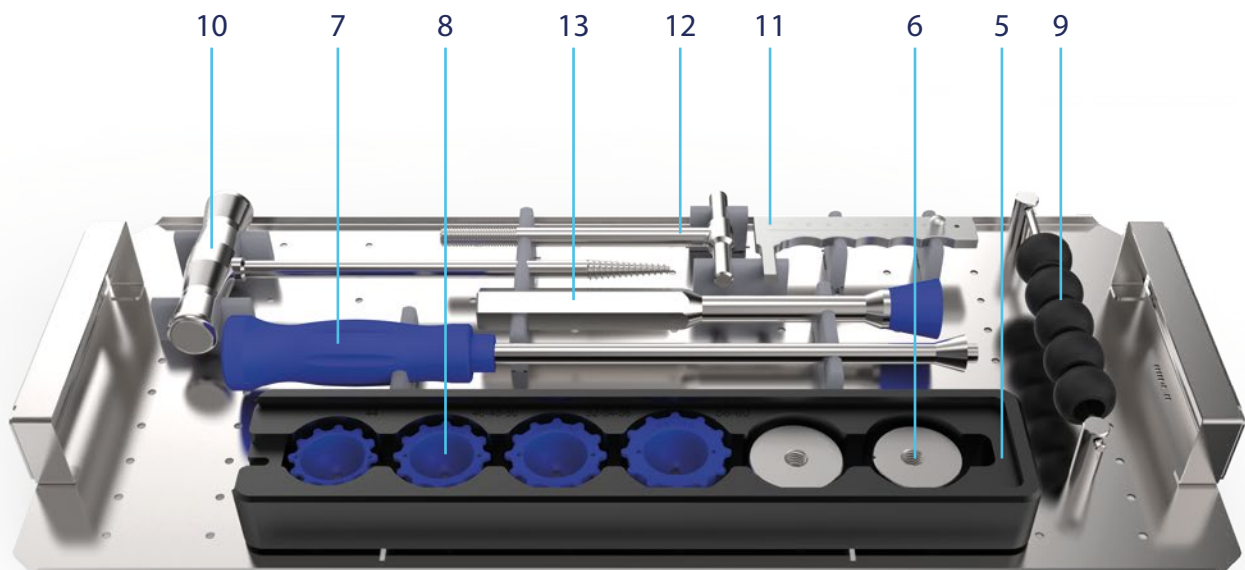
# Cementless | Instruments

No	Code	Barcode	Description	Qty.
	00000505100	8699931024012	TRAY 1 FOR PRESS FITS	
1	01193000044	8698673496040	ACETABULAR REAMER CEMENTLESS 44 MM	1
	01193000046	8698673496057	ACETABULAR REAMER CEMENTLESS 46 MM	1
	01193000048	8698673496064	ACETABULAR REAMER CEMENTLESS 48 MM	1
	01193000050	8698673496071	ACETABULAR REAMER CEMENTLESS 50 MM	1
	01193000052	8698673496088	ACETABULAR REAMER CEMENTLESS 52 MM	1
	01193000054	8698673496095	ACETABULAR REAMER CEMENTLESS 54 MM	1
	01193000056	8698673496101	ACETABULAR REAMER CEMENTLESS 56 MM	1
	01193000058	8698673497672	ACETABULAR REAMER CEMENTLESS 58 MM	1
	01193000060	8698673496125	ACETABULAR REAMER CEMENTLESS 60 MM	1
2	01192440021	8698673494763	PRESFIT TRIAL HEAD 44 MM	1
	01192460021	8698673494756	PRESFIT TRIAL HEAD 46 MM	1
	01192480021	8698673494749	PRESFIT TRIAL HEAD 48 MM	1
	01192500021	8698673494732	PRESFIT TRIAL HEAD 50 MM	1
	01192520021	8698673494725	PRESFIT TRIAL HEAD 52 MM	1
	01192540021	8698673494718	PRESFIT TRIAL HEAD 54 MM	1
	01192560021	8698673494701	PRESFIT TRIAL HEAD 56 MM	1
	01192580021	8698673494695	PRESFIT TRIAL HEAD 58 MM	1
	01192600021	8698673494688	PRESFIT TRIAL HEAD 60 MM	1
3	01152000109	8698673496019	ACETABULAR REAMER HOLDER	1
4	01193000023	8698673493780	T QUICK HANDLE	1



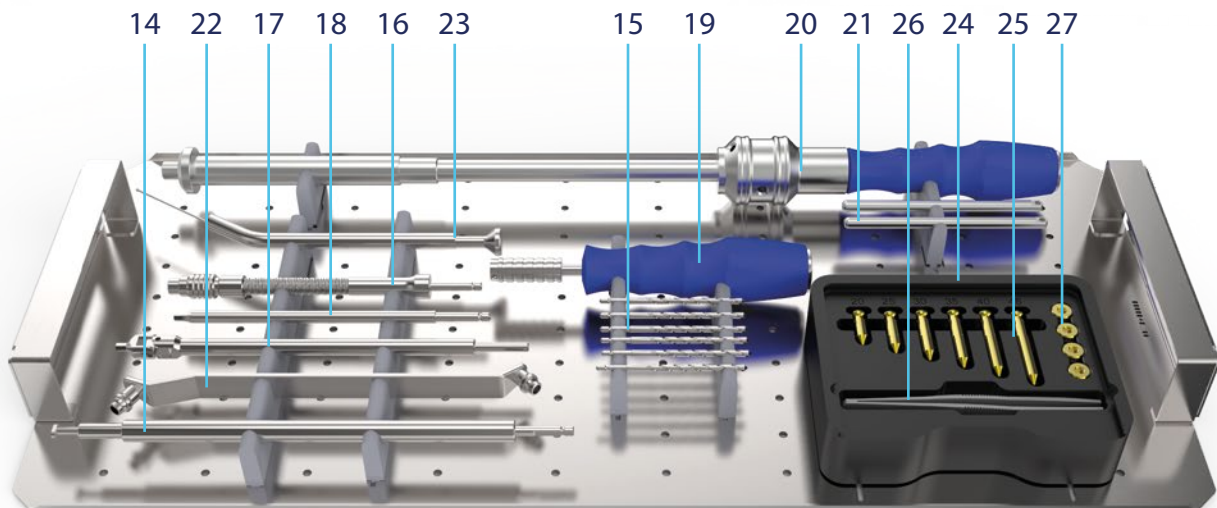
# Cementless | Instruments

No	Code	Barcode	Description	Qty.
	00000505200	8699931024029	TRAY 2 FOR PRESS FITS	
5	00000507100	8680858433551	INSERT TRIAL BOX	1
6	01135004460	8680858433568	0° INSERT HOLDER	1
	01135104460	8680858433605	10° INSERT HOLDER	1
7	01135014460	8680858433575	INSERT TRIAL HOLDER	1
8	01137004400	8680858433513	INSERT FOR ANAT. PRESS FIT CUP TRIAL 44 MM	1
	01137004650	8680858433520	INSERT FOR ANAT. PRESS FIT CUP TRIAL 46-48-50MM	1
	01137005256	8680858433537	INSERT FOR ANAT. PRESS FIT CUP TRIAL 52-54-56MM	1
	01137005860	8680858433544	INSERT FOR ANAT. PRESS FIT CUP TRIAL 58-60 MM	1
9	01192800118	8698673496385	28 MM TRIAL HEAD XSMALL	1
	01192800218	8698673495517	28 MM TRIAL HEAD SMALL	1
	01192800318	8698673495500	28 MM TRIAL HEAD MEDIUM	1
	01192800418	8698673495494	28 MM TRIAL HEAD LONG	1
	01192800518	8698673495524	28 MM TRIAL HEAD XLONG	1
10	01192000010	8698673495401	FEMORAL HEAD EXTRACTOR	1
11	01190000101	8699931030990	FEMORAL HEAD MEASUR.DEVICE	1
12	01152000102	8680858414901	MODULAR TRIAL HEAD EXTRACTOR	1
13	01152000101	8680858414895	MODULAR HEAD IMPACTOR	1



# Cementless | Instruments

No	Code	Barcode	Description	Qty.
	00000505300	8699931024036	TRAY 3 FOR PRESS FITS	
14	01135024460	8680858433582	INSERT TRIAL EXTRACTOR	1
15	02231220025	8698673473188	QUICK DRILL 20 MM	1
	02231225025	8698673473195	QUICK DRILL 25 MM	1
	02231230025	8698673473201	QUICK DRILL 30 MM	1
	02231235025	8698673473218	QUICK DRILL 35 MM	1
	02231240025	8698673473225	QUICK DRILL 40 MM	1
	02231245025	8698673473232	QUICK DRILL 45 MM	1
16	01192000013	8698673495371	FLEXIBLE DRILL HOLDER	1
17	01192000034	8698673493544	UNIVERSAL SCREW DRIVER 3.5	1
18	02020818035	8680858427468	SCREW DRIVER QUICK TIP Ø3.5X8X180 MM	1
19	02010101002	8698673493308	SOFT SCREW DRIVER QUICK LARGE	1
20	01212000112	8680858419258	PRESS FIT CUP INSERTER	1
21	02271011060	8680858431922	POSITIONING PIN	2
22	01192000008	8698673495784	DRILL GUIDE	1
23	01192000006	8698673495456	ACETABULAR DEPTH GAUGE	1
24	00000507200	8680858433599	ACETABULUM SCREW BOX	1
25	21221200065	8698673433106	ACETABULUM SCREW SELFT CANCEL. 20 MM	3
	21221250065	8698673433113	ACETABULUM SCREW SELFT CANCEL. 25 MM	3
	21221300065	8698673433120	ACETABULUM SCREW SELFT CANCEL. 30 MM	3
	21221350065	8698673433137	ACETABULUM SCREW SELFT CANCEL. 35 MM	3
	21221400065	8698673433144	ACETABULUM SCREW SELFT CANCEL. 40 MM	3
	21221450065	8698673433151	ACETABULUM SCREW SELFT CANCEL. 45 MM	3
26	03020000115	8698673493353	PENSET	1
27	21221700000	8698673433410	PRESS FIT CUP SCREW	4
	00560270150	8699931010275	CONTAINER 560X270X150 MM	



# Cementless Implants

	Code	Barcode	Description	Qty.
Insert	11370004400	8680858420476	INSERT FOR ANAT. PRESS FIT CUP 0° 44 MM UHMWPE	1
	11370004650	8680858420483	INSERT FOR ANAT. PRESS FIT CUP 0° 46-48-50 MM UHMWPE	1
	11370005256	8680858420490	INSERT FOR ANAT. PRESS FIT CUP 0° 52-54-56 MM UHMWPE	1
	11370005860	8680858420506	INSERT FOR ANAT. PRESS FIT CUP 0° 58-60 MM UHMWPE	1
	11370104400	8680858420513	INSERT FOR ANAT. PRESS FIT CUP 10° 44 MM UHMWPE	1
	11370104650	8680858420520	INSERT FOR ANAT. PRESS FIT CUP 10° 46-48-50 MM UHMWPE	1
	11370105256	8680858420537	INSERT FOR ANAT. PRESS FIT CUP 10° 52-54-56 MM UHMWPE	1
	11370105860	8680858420544	INSERT FOR ANAT. PRESS FIT CUP 10° 58-60 MM UHMWPE	1
Press Fit Cup	11224000044	8680858420384	ANAT. PRESS FIT CUP PC & HA COATED 44 MM	1
	11224000046	8680858420391	ANAT. PRESS FIT CUP PC & HA COATED 46 MM	1
	11224000048	8680858420407	ANAT. PRESS FIT CUP PC & HA COATED 48 MM	1
	11224000050	8680858420414	ANAT. PRESS FIT CUP PC & HA COATED 50 MM	1
	11224000052	8680858420421	ANAT. PRESS FIT CUP PC & HA COATED 52 MM	1
	11224000054	8680858420438	ANAT. PRESS FIT CUP PC & HA COATED 54 MM	1
	11224000056	8680858420445	ANAT. PRESS FIT CUP PC & HA COATED 56 MM	1
	11224000058	8680858420452	ANAT. PRESS FIT CUP PC & HA COATED 58 MM	1
11224000060	8680858420469	ANAT. PRESS FIT CUP PC & HA COATED 60 MM	1	
CoCrMo Moduler Head	10730001228	8698673431058	MODULAR HEAD COCRMO 28 MM X SMALL 12-14	1
	10730051228	8698673431041	MODULAR HEAD COCRMO 28 MM SMALL 12-14	1
	10730101228	8698673431034	MODULAR HEAD COCRMO 28 MM MEDIUM 12-14	1
	10730151228	8698673431065	MODULAR HEAD COCRMO 28 MM LONG 12-14	1
	10730201228	8698673434042	MODULAR HEAD COCRMO 28 MM XLONG 12-14	1
CrNi Moduler Head	10710001228	8698673431171	MODULAR HEAD CRNI 28 MM X SMALL 12-14	1
	10710051228	8698673431157	MODULAR HEAD CRNI 28 MM SMALL 12-14	1
	10710101228	8698673431140	MODULAR HEAD CRNI 28 MM MEDIUM 12-14	1
	10710151228	8698673431133	MODULAR HEAD CRNI 28 MM LONG 12-14	1
	10710201228	8698673431164	MODULAR HEAD CRNI 28 MM XLARGE 12-14	1



# Surgical Technique

## 1 FEMORAL HEAD OSTEOTOMY

Osteotomy is made over 1.5-2 cm of trochanter minor toward the femoral shaft with the angle of 45°.

Femoral head which is cut before, removed from acetabulum by the *Femoral Head Extractor*.



## 2 RASPING

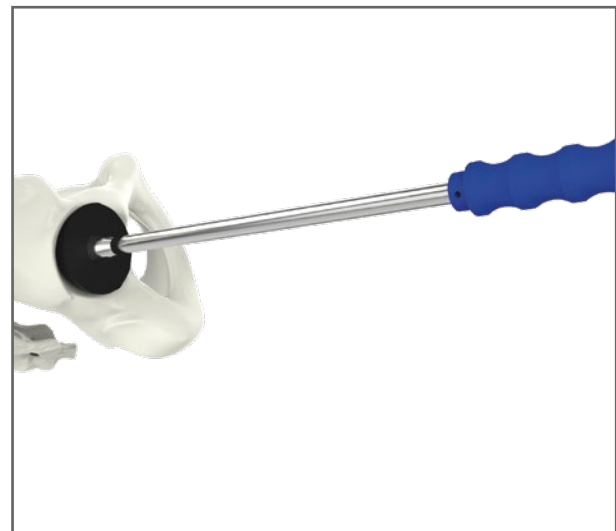
Acetabulum is started to reaming by the smallest *Acetabulum Reamer* considering the anteversion. Reaming is continued by increasing reamer sizes until blood clots are seen on subchondral bone.

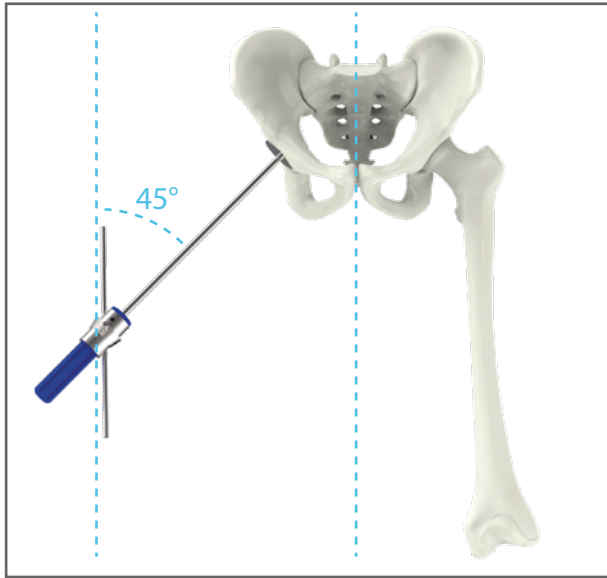
*Rasps* and trials of *Acetabular Cup* (Cemented System) and *Press Fit Cup* (Cementless System) are in different sizes.



## 3 TRIAL

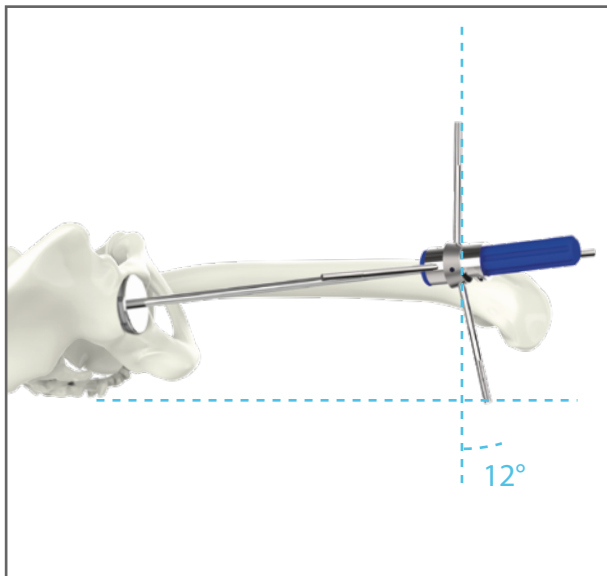
After the carving operation, the size of the acetabulum is controlled with the recent used of the trial reamer size.





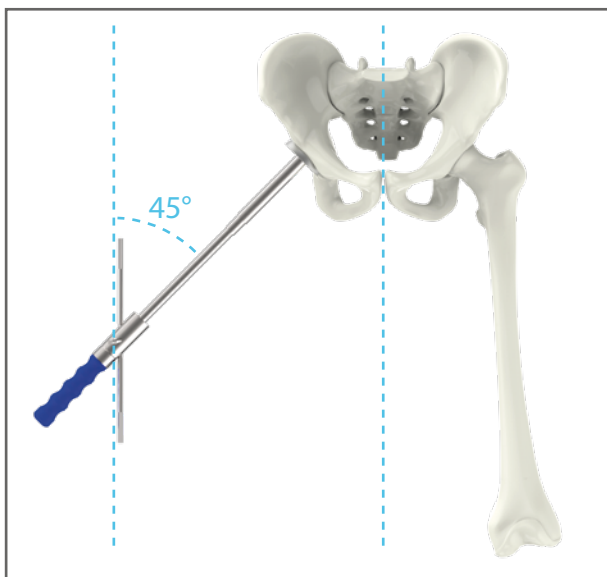
## 4a PLACEMENT OF ACETABULAR CUP (Cemented)

Cement is dressed into the acetabulum until ensuring the thickness of 2 mm. **Positioning Pins** are fixed to the **Acetabular Cup Inserter**. **Acetabular Cup** is positioned according to 45° of abduction.



When upper **Positioning Pin** is vertical to the ground, acetabular cup should be in 12° anterior flexion position. It is hold stable until the cement becomes harden. The excessive cement spilled over from the edge is cleaned.

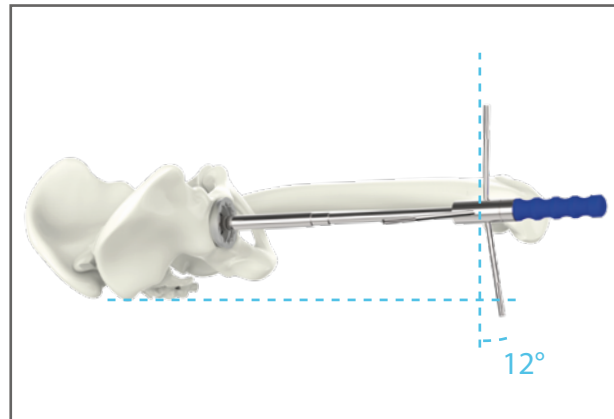
Following drying of the cement, it is continued with **Modular Trial Head**.



## 4.b PLACEMENT OF PRESS FIT CUP (Cementless)

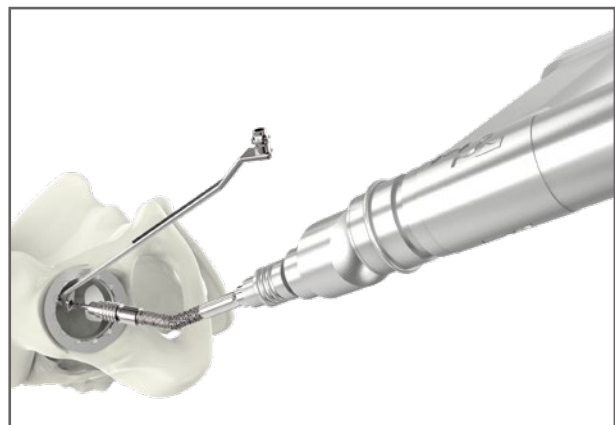
**Positioning Pins** are assembled to **Press Fit Cup Inserter** which is positioned according to 45° abduction.

When the upper *Positioning Pin* becomes vertical to the ground, *Press Fit Cup* should be in 12° flexion position towards anterior.



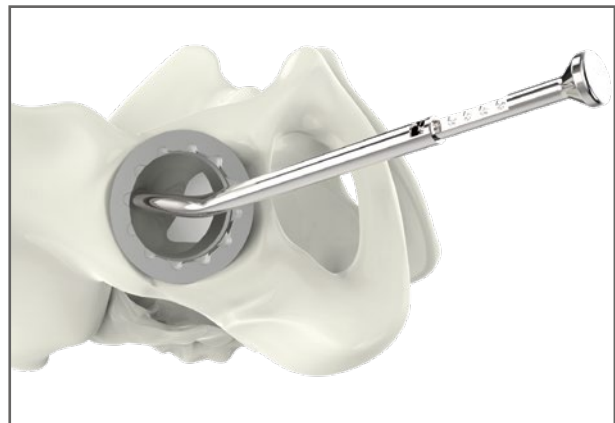
## 5 DRILLING

The screw way is opened using *Flexible Drill* with the help of *Drill Guide* to fix *Press Fit Cup* which is already in the proper position.



## 6 MEASUREMENT OF SCREW LENGTH

Screw length is determined by using the drill length or *Acetabular Depth Gauge*.

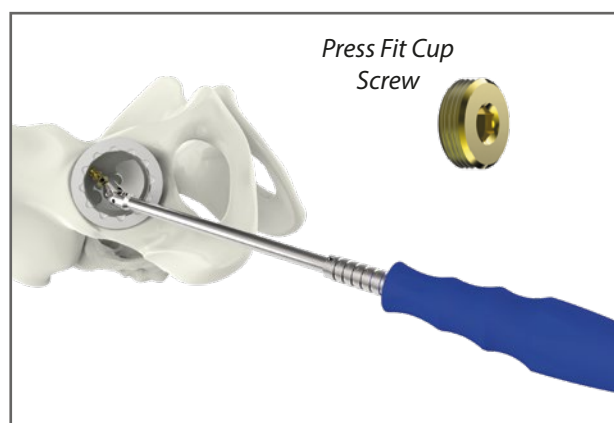


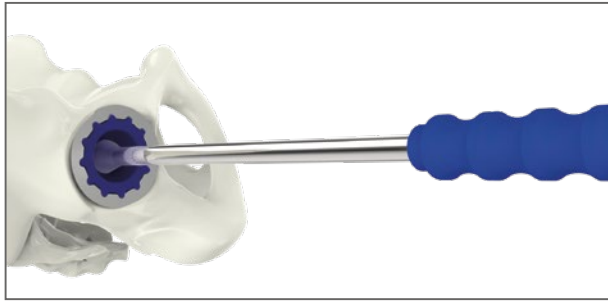
## 7 LOCKING

The suitable screw is screwed by using *Universal Screw Driver 3.5*.

The screw settlement should be done carefully to the screw holes. In case of a disjointedness, *Insert for Anat. Pres Fit Cup* will not settle to the *Press Fit Cup*. Please pay attention to not to tighten screws excessively.

Lastly, the hole in the middle is closed by using *Press Fit Cup Screw*.





## 8 INSERT AND MODULAR HEAD TRIAL

Proper modular head size is determined with the help of *Modular Trial Head* by fixing the *Insert Trial*.



## 9 INSERT TRIAL EXTRACTION

After determination of modular head size, *Insert Trial* is extracted by *Insert Trial Extractor*.



## 10 INSERT FIXATION

*Insert Holder* and *Insert* are fixed to *Acetabular Cup*.



Femoral stem is inserted according to the technique. The femoral head is placed on the stem. After hip reduction, the compatibility of the prosthesis is tested through the range of joint motion. The stability and leg lengths are examined as well.